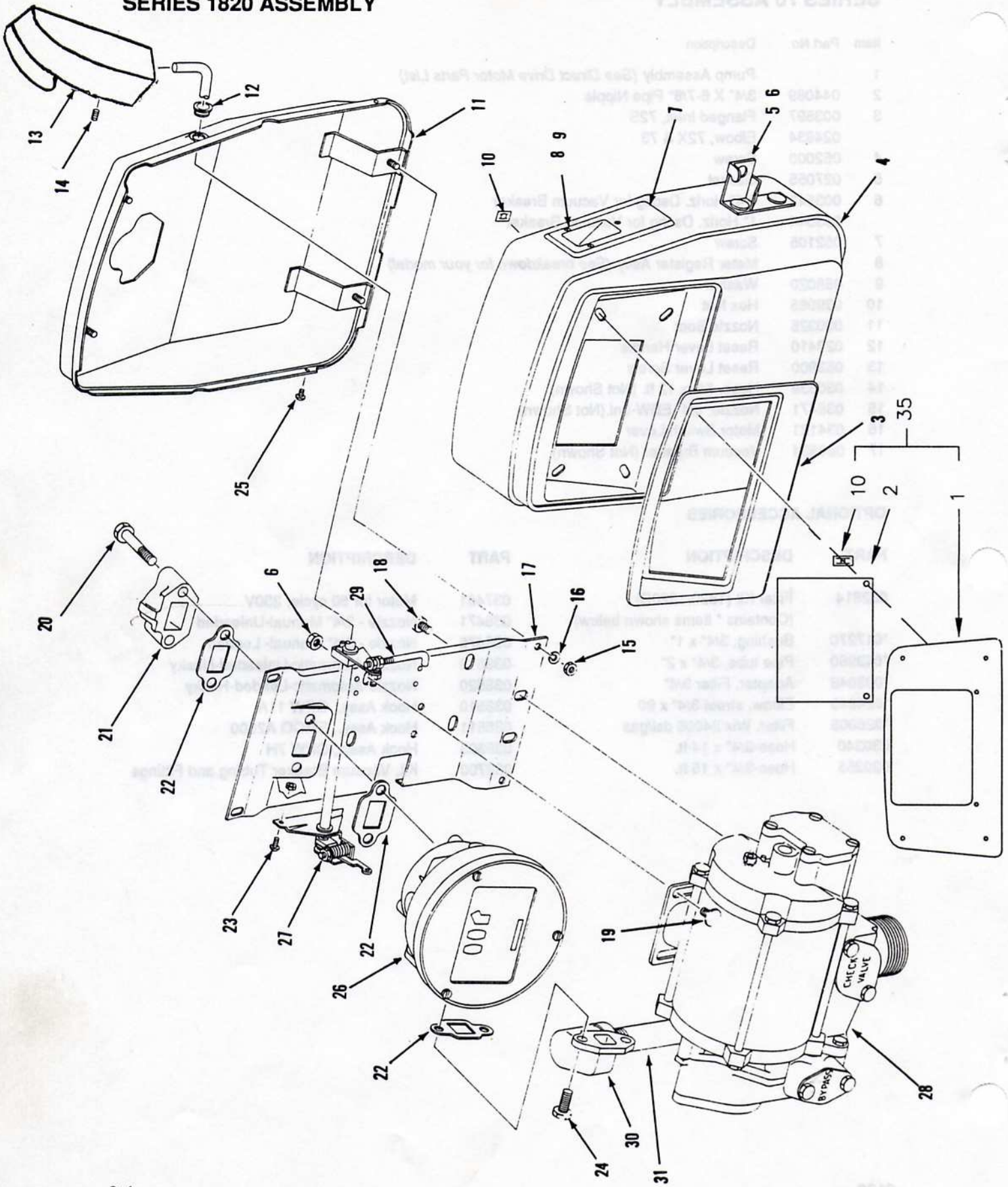


SERIES 1820 ASSEMBLY



SERIES 1820 ASSEMBLY

Item	Part No.	Description	Item	Part No.	Description
1	025393	Dial Face Assembly	22	027055	Gasket
2	028850	Dial Glass	23	052855	Machine Screw
3	012265	Bezel	24	052000	Cap Screw
4	040630	Front Panel Assembly	25	053725	Self-Tapping Screw
5	029620	Nozzle Hanger	26		Meter-Register Assy. (<i>See breakdown for your model</i>)
	029590	Nozzle Hanger - Automatic Nozzle	27	054654	Control Shaft Assy. (<i>See breakdown</i>)
6	038605	Keps Lock Nut	28		Direct Drive Motor Assy (<i>See Direct Drive Motor parts breakdown</i>)
7	003820	Scuff Plate	29	051206	Switch Rod Assembly (<i>See breakdown</i>)
8	052856	Machine Screw	30	003597	Flanged Inlet
9	039070	Keps Lock Nut	31	044089	3/4" x 6-7/8 Nipple
10	039461	Speed Nut	32	030539	Hose-5/8" x 12 ft., (Not shown)
11	041545	Rear Panel Assembly	33	038471	Nozzle-Manual Unl, (Not Shown)
12	039815	Nyliner Bearing	35	032912	Dial Face Kit (consists of items 1, 2, & 10)
13	003717	Control Lever	36	066534	Vacuum Breaker (Not Shown)
14	053170	Set Screw			
15	038860	1/4-20 Hex Nut			
16	068891	1/4 Lock washer			
17	063970	Pump and Meter Support			
18	051880	Cap Screw			
19	013030	Carriage Bolt			
20	052105	Machine Screw, Horiz. Dischg			
	052555	Machine Screw, Flgd Dischg			
21	003542	Horiz. Dischg-3/4", for vac breaker			
	003544	Horiz. Dischg-1", for vac breaker			

OPTIONAL ACCESSORIES

PART	DESCRIPTION	PART	DESCRIPTION
032814	Filter Kit (1820/1820R) (Contains * items shown below)	037461	Motor for 50 cycle, 230V
*017270	Bushing, 3/4" x 1"	038471	Nozzle - 3/4" Manual-Unleaded
*043960	Pipe tube, 3/4" x 2"	038475	Nozzle - 3/4" Manual- Leaded
*003043	Adapter, Filter 3/4"	038519	Nozzle-Automatic-Unleaded-Husky
*024940	Elbow, street 3/4" x 90	038520	Nozzle-Automatic-Leaded-Husky
*026005	Filter, Wix 24006 dsl/gas	038510	Hook Assy., OPW 11A
030340	Hose-3/4" x 14 ft.	038511	Hook Assy., EMCO A2000
030355	Hose-3/4" x 15 ft.	038503	Hook Assy., OPW 7H