

BLACKMER PARTS LIST

PUMP MODELS: LGRL1.25, LGRLF1.25A, LGL1.25, LGLF1.25A, LGL1.5, LGLF1.5A

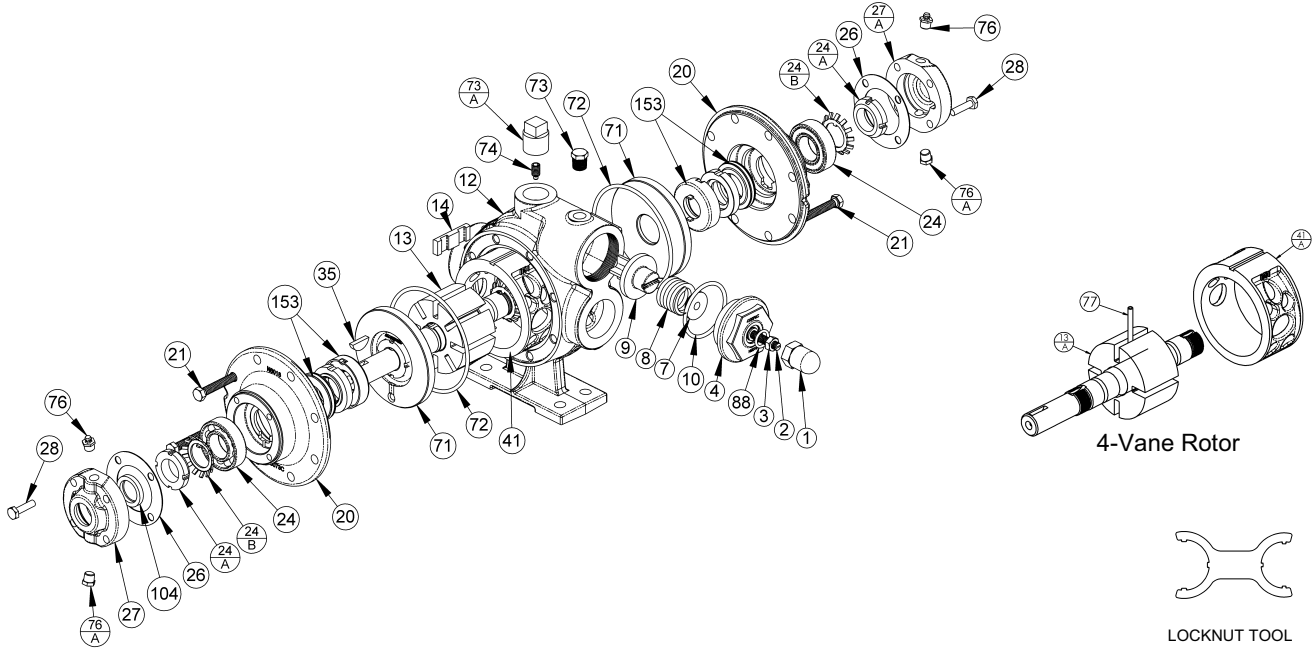
and discontinued models: LGRLF1.25, LGLF1.25

(See Instructions 501-B00 for Installation, Operation and Maintenance)

960410
Page 1 of 2

PARTS LIST
501-B01

Section 501
Effective August 2003
Replaces July. 2002



Ref. No.	Description	Parts per Pump	Part No.	Ref. No.	Description	Parts per Pump	Part No.
1	Cap – Relief Valve (R/V)	1	413200	41	Liner – LGRL(F)1.25 [8 - Vane Only]	1	² 183019
2	Adjusting Screw – R/V	1	433909		Liner – LGL(F)1.25 [8 - Vane Only]	1	² 183020
3	Locknut – Adjusting Screw	1	922923		Liner – LGL(F)1.5 [8 - Vane Only]	1	² 183310
4	Cover – R/V	1	413076	41A	Liner – LGRL(F)1.25 [4 - Vane Only]	1	² 183003
7	Spring Guide – R/V	1	423955		Liner – LGL(F)1.25 [4 - Vane Only]	1	² 183004
8	Spring – R/V (81 – 125 psi)	1	471428		Liner – LGL(F)1.5 [4 - Vane Only]	1	² 183301
9	Valve - R/V (Std.)	1	453077	71	Disc	2	¹ 063075
	Valve - R/V (Nickel Plated)		452300	72	O-Ring – Head	2	¹ 701918
10	O-Ring – R/V Cover	1	¹ 711924	73	Gage Plug (1/4")	1	908198
12	Casing with feet (1.25)		013075	73A	Gage Plug (3/4")	1	908225
	Casing with feet (1.5)		013376	74	Setscrew – Liner	1	922088
13	Rotor & Shaft Assembly, Eight Vane (Includes Ref. Nos. 24A & 24B)(Std.)	1	² 262300	76	Grease Fitting	2	317815
13A	Rotor & Shaft Assembly, Four Vane (Includes Ref. Nos. 24A & 24B)	1	² 263076	76A	Grease Relief Fitting	2	701992
				77	Push Rod – LGRL(F)1.25	0-2	¹ 123004
					Push Rod – LGL(F)1.25		¹ 123076
Push Rod LGL(F)1.5	¹ 123401						
20	Head	2	033073	88	O-Ring – R/V Cap	1	¹ 701949
21	Capscrews – Head	16	920276	104	Grease Seal	1	¹ 331927
24	Ball Bearing	2	¹ 903114	—	Tool - Locknut	—	903090
24A	Locknut – Bearing	2	² 903534	—	Kit – Maint LGRL(F)1.25A [4 Vane]	—	898917
24B	Lockwasher – Bearing	2	¹ 903533	—	Kit - Maint LGL(F)1.25(A) [4 Vane]	—	898918
26	Gasket - Bearing Cover ³	2	¹ 383075	—	Kit - Maint LGL(F)1.5(A) [4 Vane]	—	898919
27	Bearing Cover – Inboard ⁵	0-1	043070	—	Kit - Maintenance LG(R)L(F)1.25(A) / 1.5(A) [8 Vane]	—	898976
27A	Bearing Cover – Outboard	1	043071	—	Kit - Rebuild LGRL(F)1.25A [4 Vane]	—	899017
28	Capscrews – Bearing Cover ⁴	4 - 8	920080	—	Kit - Rebuild LGL(F)1.25(A) [4 Vane]	—	899018
35	Shaft Key	1	¹ 909125	—	Kit - Rebuild LGL(F)1.5(A) [4 Vane]	—	899019
				—	Kit - Rebuild LGRL(F)1.25A [8 Vane]	—	899076
				—	Kit - Rebuild LGL(F)1.25(A) [8 Vane]	—	899077
				—	Kit - Rebuild LGL(F)1.5(A) [8 Vane]	—	899078

¹ Included in Maintenance Kits and Rebuild Kits

² Included in Rebuild Kits.

Note: Earlier model pumps used taper pins, which are no longer required.

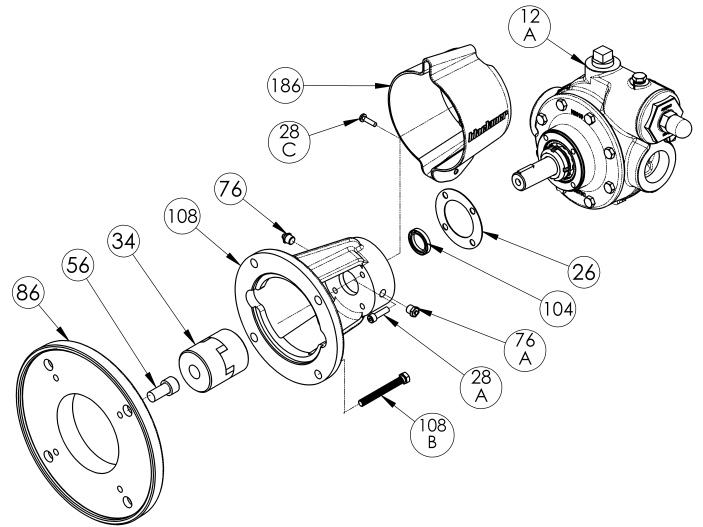
Ref. No. 73A: Earlier versions of these pumps may use a 1/4" plug (pn 908198) or 1/2" plug (pn 908215).

Keep this parts list with Installation, Operation and Maintenance Instructions.

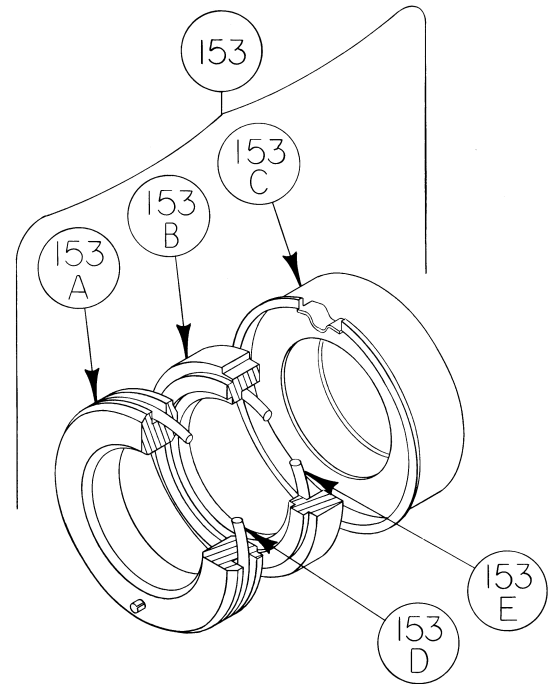
The following applies to LG(R)LF pump models only: ³ Use one outboard ⁴ Use four outboard ⁵ Use none.

FLANGE 'F' MOUNTING

Ref. No.	Description	Parts per Pump	Part No.
12A	Casing w/o Feet – LG(R)LF1.25	1	013077
	Casing w/o Feet – LGLF1.5		013377
26	Gasket - Bearing Cover	1	383075
28A	Bracket Mounting Screws	4	920101
28C	Guard Screw	1	920026
34	Coupling Half – Pump	1	906147
	Coupling Spider		906155
	Coupling Half – Motor (56C)		906151
	Coupling Half – Motor (143TC,145TC,184C)		906147
	Coupling Half – Motor (182TC,184TC,215C)		906146
56	Cap screws – Adapter Ring Mounting	4	920480
76	Grease Fitting	1	317815
76A	Grease Relief Fitting	1	701992
86	Motor Adapter Ring-182TC,184TC,215C	1	832914
104	Grease Seal	1	331927
108 ⁶	Mounting Bracket Includes Ref. Nos. 76 & 76A	1	832912
108B	Cap screws - Bracket	4	920331
186	Guard	1	804120



⁶ Use (P/N 833000 – Mounting Bracket w/ feet) on discontinued models LG(R)LF1.25 and LGLF1.5



MECHANICAL SEAL

Ref. No.	Part Name	Parts Per Pump	Part No.
153	Mechanical Seal Assembly	2	¹ 333045
153A	Stationary Seat (Hardened Steel)	2	**
153B	Seal Face (Carbon)	2	**
153C	Jacket Assembly	2	**
153D	O-Ring – Stationary (Buna-N)	2	711916
153E	O-Ring – Rotating (Buna-N)	2	711915

¹ Included in Maintenance Kits and Rebuild Kits

** NOTE: Mechanical Seal Ref. No. 153 is only sold as a complete assembly. Ref. Nos. 153A, 153B & 153C are not available as separate replacement parts.

