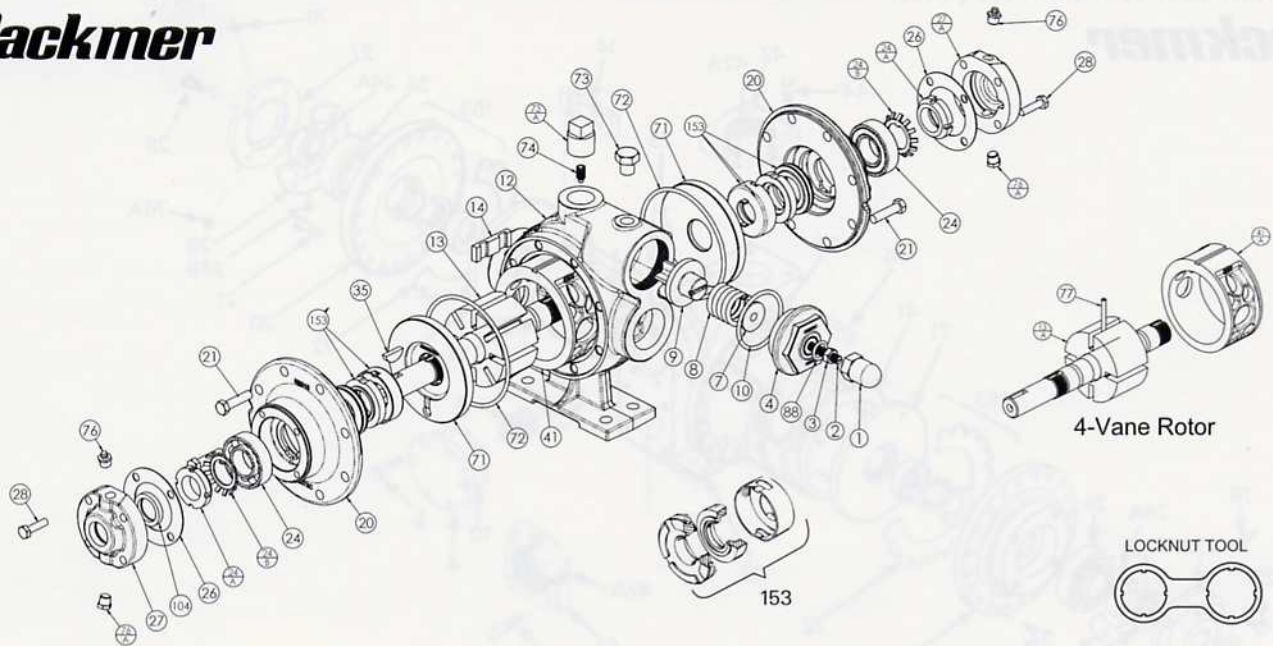


**Models: LGRL1.25, LGRLF1.25A, LGL1.25, LGLF1.25A, LGL1.25 & LGLF1.5A**

**blackmer**



Ref. No.	Description	Parts per Pump	Part No.	Ref. No.	Description	Parts per Pump	Part No.
1	Cap – Relief Valve (R/V)	1	413200	41	Liner – LGRL(F)1.25 [8 - Vane Only]	1	183019
2	Adjusting Screw – R/V	1	433909		Liner – LGL(F)1.25 [8 - Vane Only]		183020
3	Locknut – Adjusting Screw	1	922923		Liner – LGL(F)1.5 [8 - Vane Only]		183310
4	Cover – R/V	1	413076	41A	Liner – LGRL(F)1.25 [4 - Vane Only]	1	183003
7	Spring Guide – R/V	1	423955		Liner – LGL(F)1.25 [4 - Vane Only]		183004
8	Spring – R/V (81 – 125 psi)	1	471428		Liner – LGL(F)1.5 [4 - Vane Only]		183301
9	Valve - R/V (Std.)	1	453077	71	Disc	2	<sup>1</sup> 063075
	Valve - R/V (Nickel Plated)		452300	72	O-Ring – Head	2	<sup>1</sup> 701918
10	O-Ring – R/V Cover	1	<sup>1</sup> 711924	73	Gage Plug (1/4")	1	908198
12	Casing (1.25)	1	013075	73A	Gage Plug (3/4")	1	908225
	Casing (1.5)		013376	74	Setscrew – Liner	1	922088
13	Rotor & Shaft Assembly, Eight Vane (Includes Ref. Nos. 24A & 24B)(Std.)	1	262300	76	Grease Fitting	2	317815
13A	Rotor & Shaft Assembly, Four Vane (Includes Ref. Nos. 24A & 24B)	1	263076	76A	Grease Relief Fitting	2	701992
				77	Push Rod – LGRL(F)1.25	0-2	123004
					Push Rod – LGL(F)1.25		123076
14	Vane – Duravane	4-8	<sup>1</sup> 093088		Push Rod LGL(F)1.5		123401
20	Head	2	033073	88	O-Ring – R/V Cap	1	<sup>1</sup> 701949
21	Capscrews – Head	16	920276	104	Grease Seal	1	<sup>1</sup> 331927
24	Ball Bearing	2	<sup>1</sup> 903114		Tool - Locknut		903090
24A	Locknut – Bearing	2	903534	153	Mechanical Seal Assembly	2	<sup>1</sup> 333045
24B	Lockwasher – Bearing	2	<sup>1</sup> 903533		Kit - Maintenance		
26	Gasket - Bearing Cover <sup>3</sup>	2	<sup>1</sup> 383075		LG(R)L(F)1.25(A) / 1.5(A) [8 Vane]		898976
27	Bearing Cover – Inboard <sup>5</sup>	0-1	043070				
27A	Bearing Cover – Outboard	1	043071				
28	Capscrews – Bearing Cover <sup>4</sup>	4 - 8	920080				
35	Shaft Key	1	<sup>1</sup> 909125				

<sup>1</sup> Included in Maintenance Kit

Note: earlier model pumps used taper pins, which are no longer required.

Ref. No. 73A: Earlier versions of these pumps may use a 1/4" plug (pn 908198) or 1/2" plug (pn 908215).

The following applies to LG(R)LF pump models only: <sup>3</sup> Use one outboard . <sup>4</sup> Use four outboard <sup>5</sup> Use none.