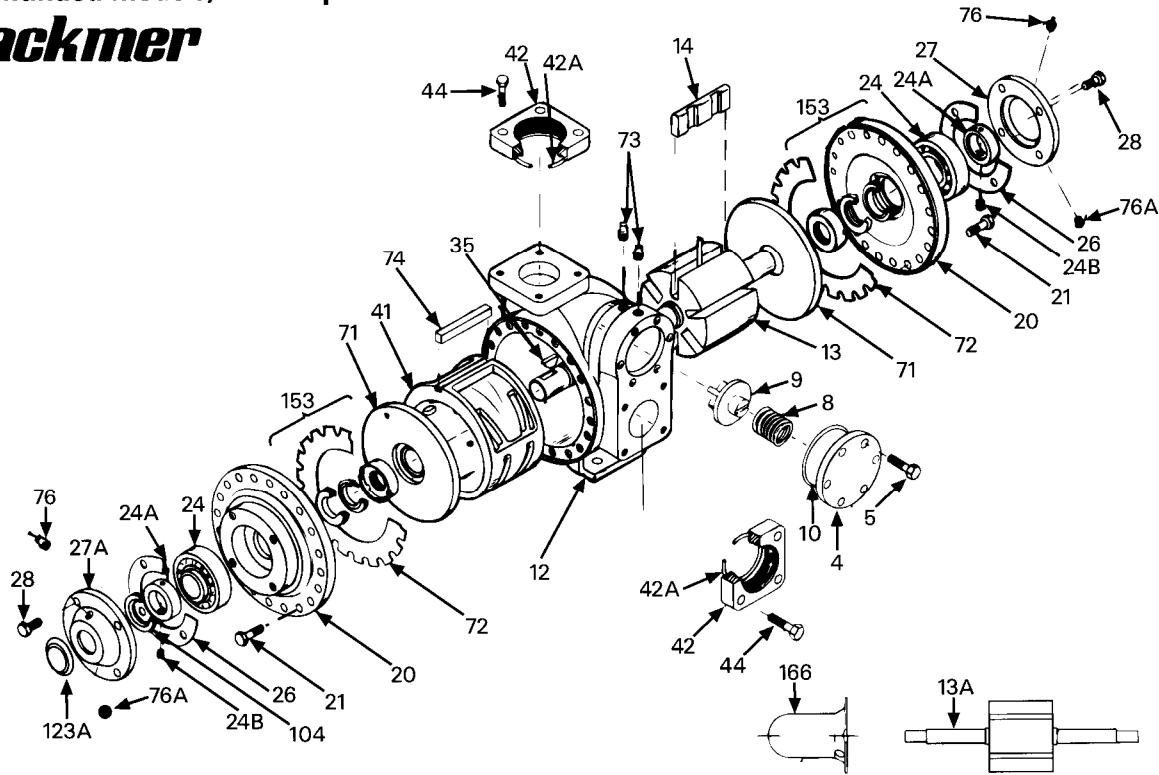


## Models: LGL2D, TLGLD2D, LGL3C & TLGLD3C - Obsolete

Discontinued models, limited parts

### blackmer



Ref. #	Part Name	Parts Per Pump	2" Part #	3" Part #
4	Valve Cover	1	414407	415111
5	Valve Cover Capscrews	6	920316	920331
8	Valve Spring	1	471428	471620
9	Relief Valve		454405	455129
10	"O" Ring, Valve Cover		701919	701925
12	Casing		014426	015126
13	Rotor & Shaft	1	264441	265144
13A	Rotor & Double End Shaft		264403	265146
14	Vane - Duravane		6	091419
20	Head	2	034417	035126
21	Head Capscrew	32 - 40	920351	920369
24	Bearing	2	903154	903168
24A	Bearing Lockcollar		701409	705110
24B	Lockcollar Setscrew		922178	922178
26	Bearing Cover Gasket	1 (3)	383940	385125
27	Bearing Cover (Outboard)		041433	041817
27A	Bearing Cover (Inboard)		041431	041815
28	Bearing Cover Capscrew	8 - 12	920285	920285
35	Shaft Key	1	909130	909130

Ref. #	Part Name	Parts Per Pump	2" Part #	3" Part #
41	Liner	1	184405	185111
42	NPT Flange	2	654404	655104
	Weld Flange		654405	655102
42A	"O" Ring	8	702004	702002
44	Capscrew - NPT Flange		920351	920532
	Capscrew - Weld Flange		920351	920510
71	Disc	2	064413	065113
72	Head Gasket		383935	385107
73	Gage Plug		908195	
74	Liner Key	1	183991	185191
76	Grease Fitting	2/set	317815	317815
76A	Grease Relief Fitting		701992	701992
77	Push Rod	3	123905	125105
104	Grease Seal	1 (2)	331918	331908
123A	Dirt Shield		701480	—
153	Mechanical Seal Complete	2	331417	331825

The following are for TLGLD2C & TLGLD3C:  
 (1) = use one, (2) = use two, (3) = use none.

Some items are no longer available from Blackmer.