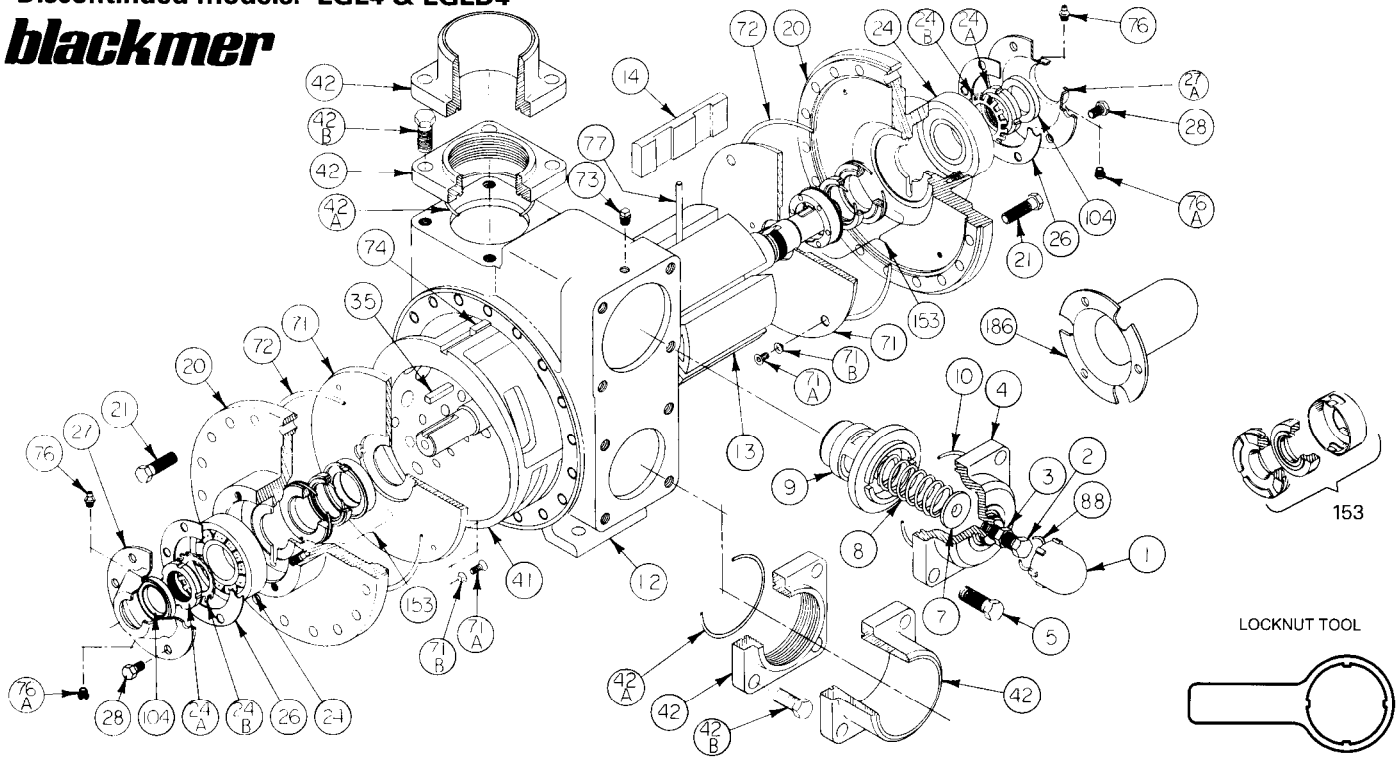


Models: LGLD4A & LGL4A

Discontinued models: LGL4 & LGLD4

blackmer



Ref. No.	Description	Parts Per Pump	Part No.	Ref. No.	Description	Parts Per Pump	Part No.
1	Cap - Relief Valve (R/V)	1	413952	28	Capscrews - Bearing Cover	12	920286
2	Adjusting Screw - R/V (LGLD4A & LGL4A)	1	436310	35	Key - Shaft	1	¹ 909183
	Adjusting Screw - R/V (LGLD4 & LGL4)	1	436307	41	Liner	1	182000
3	Locknut - Adjusting Screw (LGLD4A & LGL4A)	1	432039	42	Flange - 3" NPT	1 - 2	652012
	Locknut - Adjusting Screw (LGLD4 & LGL4)	1	436355		Flange - 3" Weld		652007
4	Cover - R/V	1	412001		Flange - 4" Weld		652005
5	Capscrew - R/V Cover	4	920663	42A	O-Ring - NPT, Weld Flange	2	¹ 701937
7	Spring Guide - R/V	1	426355	42B	Capscrew - NPT Flange	8	920663
	Spring - R/V (LGLD4A & LGL4A)	1	472039		Capscrew - Weld Flange		920640
8	Spring - R/V (LGLD4 & LGL4)	1	476305	71	Disc	2	¹ 062039
	Valve - R/V	1	452001	71A	Machine Screw - Disc	8	920007
10	O-Ring - R/V Cover	1	¹ 701946	71B*	Lockwasher - Machine Screw	8	909634
12	Casing (LGLD4A & LGL4A)	1	012009		72	O-Ring - Head	2
	Casing (LGLD4 & LGL4)	1	012000	73	Gage Plug	2	908198
13	Rotor & Shaft Asy, Dbl. End - LGLD4(A)	1	262024	74	Key - Liner	1	182040
	Rotor & Shaft Asy, Sgl. End - LGL4(A)		262023	76	Grease Fitting	2	317815
14	Vane - Duravane (Std.)	6	¹ 092019	76A	Grease Relief Fitting	2	701992
20	Head	2	032039	77	Push Rod	3	¹ 122005
21	Capscrews - Head	36	920532	88	O-Rng - R/V Cap	1	¹ 701926
24	Ball Bearing	2	¹ 903172	104	Grease Seal - LGLD4(A)	2	¹ 331908
24A	Locknut - Bearing	2	903541		Grease Seal - LGL4(A)	1	
24B	Lockwasher - Bearing	2	¹ 903542	186	Shaft Protector (LGLD4 Only)	1	341801
26	Gasket - Bearing Cover	2	¹ 385125		Tool - Locknut		903092
27	Bearing Cover - LGLD4(A)	2	041815	153	Mechanical Seal Assembly	2	¹ 332050
	Bearing Cover - Inboard, LGL4(A)	1		Kit - Maintenance	898922		
27A	Bearing Cover - Outboard, LGL4(A)	1	041817	¹ Included in Maintenance Kit			