

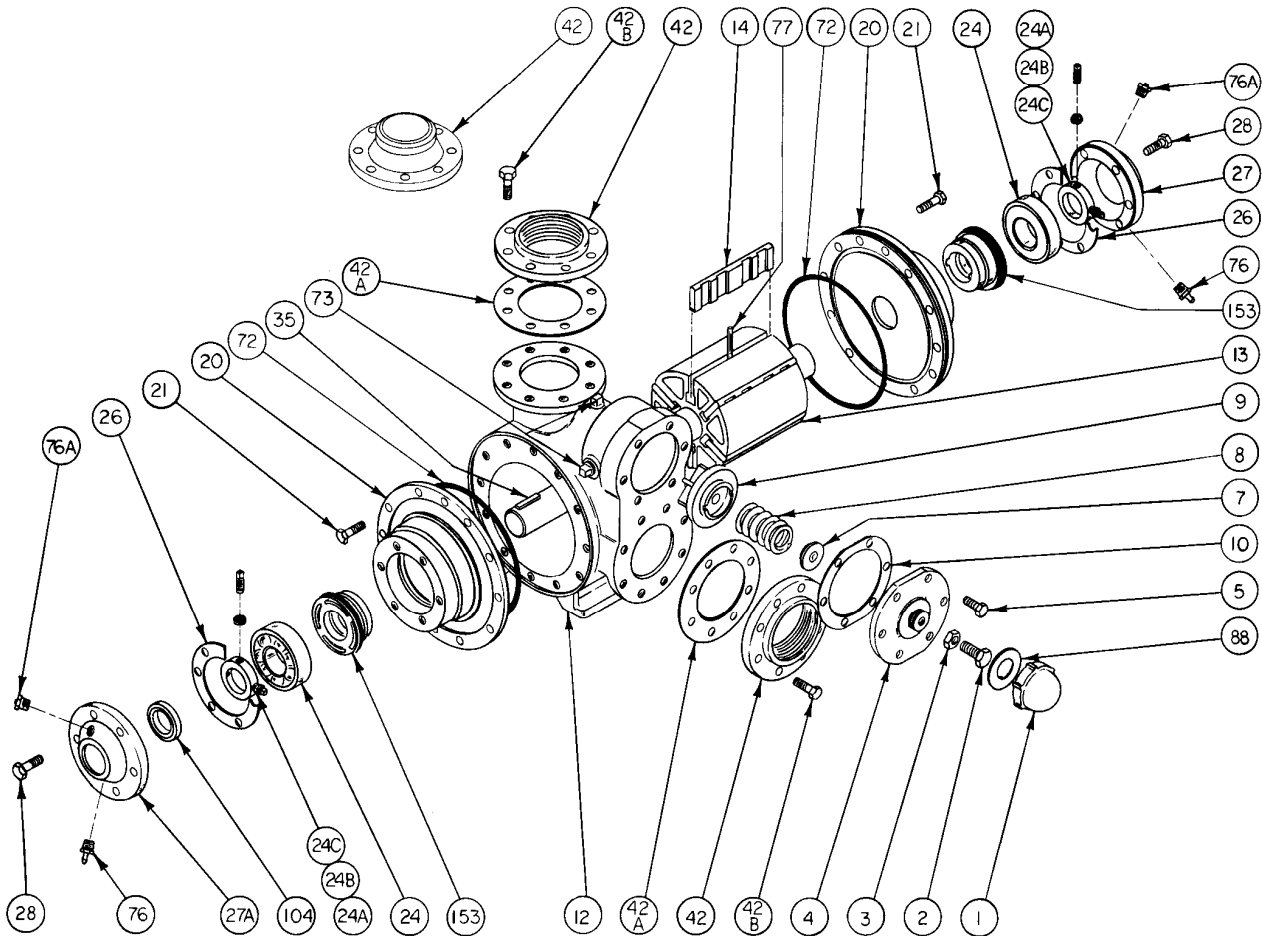
BLACKMER PUMP PARTS LIST

MODEL: TX4A

(See Instructions 285/C for Operation and Maintenance)

960286
PARTS LIST NO. 285/C 11

Section 200
Effective January 1994
Replaces November 1988



REF. NO.	PART NAME	PARTS PER PUMP	PART NO.	REF. NO.	PART NAME	PARTS PER PUMP	PART NO.
1	Cap - Relief Valve (R/V)	1	413952	24	Ball Bearing	2	903182
2	Adjusting Screw - R/V	1	436307	24A	Lock Collar - Bearing	2	721937
3	Locknut - Adjusting Screw	1	436355	24B	Setscrew	4	922104
4	Cover - R/V	1	411903	24C	Jam Nut	4	922923
5	Capscrew - R/V Cover	6	920351	26	Gasket - Bearing Cover	2	386950
7	Spring Guide - R/V	1	426355	27	Bearing Cover - Outboard	1	041905
8	Spring - R/V (35-50 psi)	1	476303	27A	Bearing Cover - Inboard	1	041903
	Spring - R/V (51-75 psi)		476310	28	Capscrews - Bearing Cover	12	920491
	Spring - R/V (76-125 psi)		476305	35	Key - Shaft	1	909135
	SS Spring - R/V (35-50 psi) ¹		476320	42	Flange - 4" NPT	1-2	651900
	SS Spring - R/V (51-75 psi) ¹		476314		Flange - 4" Weld		651905
	SS Spring - R/V (76-125 psi) ¹		476321	42A	Gasket - Flange	1-2	381903
9	Valve - R/V (Std.)	1	456315	42B	Capscrew - Flange	8-16	920532
	Valve - R/V (Nickel Plated)		456300		O-Ring - Head (Buna-N) (Std)		702023
10	Gasket - R/V Cover	1	531903	72	O-Ring - Head (Viton)	2	702024
12	Cylinder	1	021906		O-Ring - Head (Teflon)		702093
13	Rotor & Shaft	1	261950	73	Gage Plug	2	908198
14	Vane - Duravane (Std.)	6	091924	76	Grease Fitting	2	317815
	Vane - Laminate		091931	76A	Grease Relief Fitting	2	701992
	Vane - Bronze		091953	77	Push Rod	3	121905
20	Head	2	031909	88	Gasket - R/V Cap	1	533908
21	Capscrews - Head	24	920510	104	Grease Seal	1	904190

¹ Stainless Steel Spring.

Viton and Teflon are Registered Trademarks of E.I. DuPont.

IMPORTANT NOTE: This parts list should be kept with Installation, Operation and Maintenance Instructions 285/C.

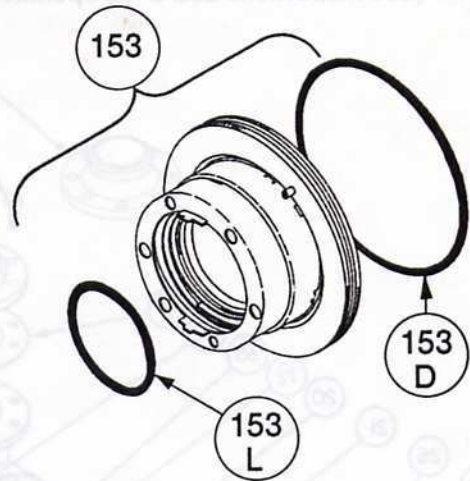
PARTS LIST NO. 285/C12

BLACKMER PUMP PARTS LIST

MODEL: TX4A

MECHANICAL SEALS - TX4A MODELS

REF. NO.	PART NAME	PARTS PER PUMP	PART NO.
153	Mechanical Seal Complete - Cast Iron Stationary Seat, Carbon Seal Face, Buna-N O-Rings. (Std.)	2	336958
	Mechanical Seal Complete - Cast Iron Stationary Seat, Teflon O-Ring, Carbon Seal Face w/ Teflon Seal Ring.		331973
153D	O-Ring - Stationary (Buna-N)	2	701945
	O-Ring - Stationary (Viton)		701932
	O-Ring - Stationary (Teflon)		702090
153L	O-Ring - Rotating (Buna-N)	2	701933
	O-Ring - Rotating (Viton)		701967
	Seal Ring - Rotating (Teflon)		**



** Teflon Rotating Seal Ring is not available as a separate part.

REF. NO.	PART NAME	PARTS PER PUMP	PART NO.
153	Mechanical Seal Complete - Cast Iron Stationary Seat, Carbon Seal Face, Buna-N O-Rings. (Std.)	2	336958
153	Mechanical Seal Complete - Cast Iron Stationary Seat, Teflon O-Ring, Carbon Seal Face w/ Teflon Seal Ring.	2	331973
153D	O-Ring - Stationary (Buna-N)	2	701945
153D	O-Ring - Stationary (Viton)	2	701932
153D	O-Ring - Stationary (Teflon)	2	702090
153L	O-Ring - Rotating (Buna-N)	2	701933
153L	O-Ring - Rotating (Viton)	2	701967
153L	Seal Ring - Rotating (Teflon)	2	**



A **DOVER** RESOURCES COMPANY

1809 Century Avenue, Grand Rapids, Michigan 49509 U.S.A.
 Telephone: (616) 241-1611 • Fax: (616) 241-3752