

BLACKMER PUMP PARTS LIST

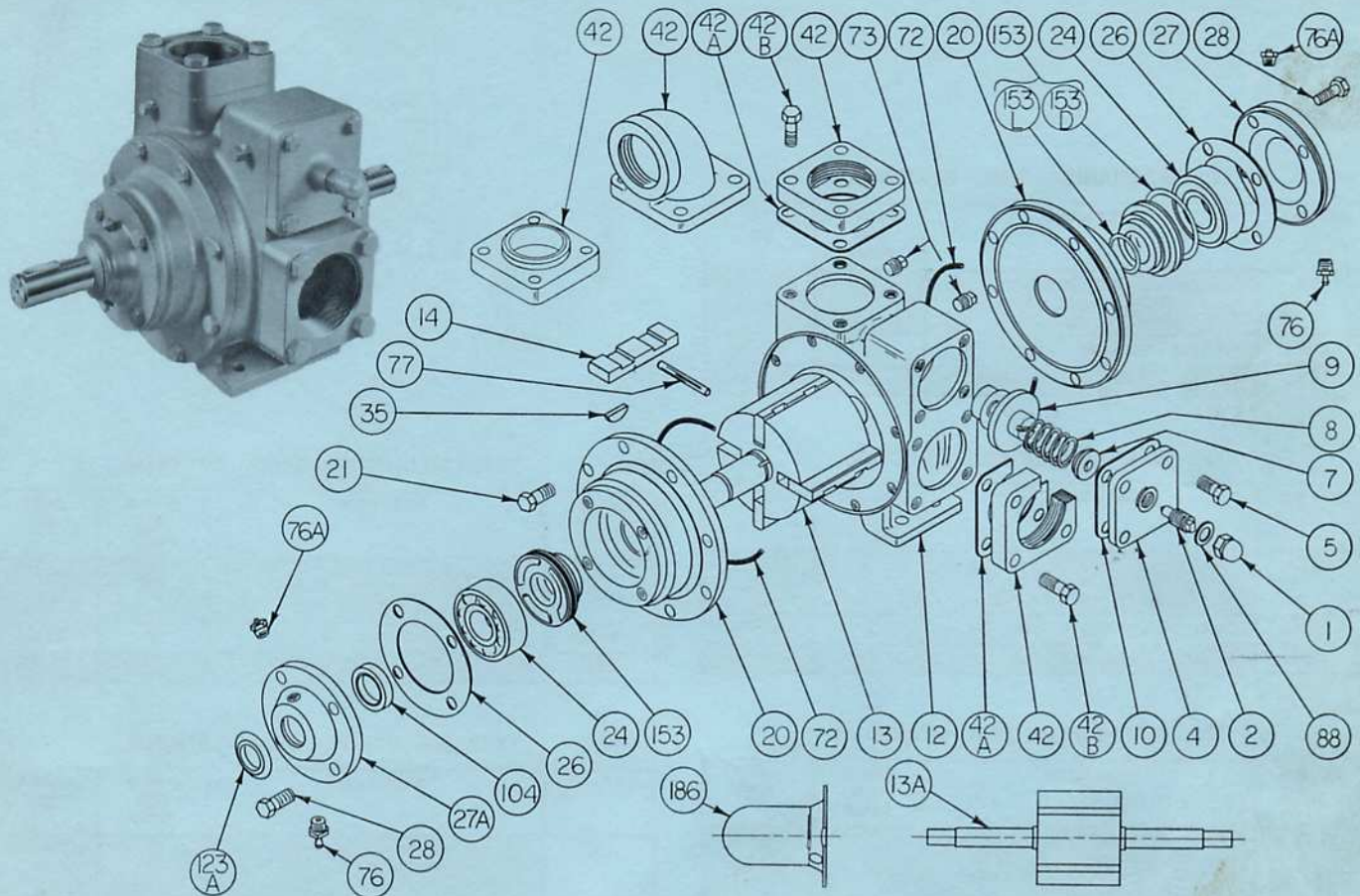
MODELS: TX2, TXS2, TXD2, TXSD2

(See Instructions 285/C for Operation and Maintenance)

960281

PARTS LIST NO. 285/C1

Section Effective Replaces	200 November 1988 August 1978
----------------------------	-------------------------------------



REF. NO.	PART NAME	PARTS PER PUMP	PART NO.	REF. NO.	PART NAME	PARTS PER PUMP	PART NO.
1	Cap - Relief Valve (R/V)	1	411452	26	Gasket - Bearing Cover	2	*383940#
2	Adjusting Screw - R/V	1	431401	27	Bearing Cover - Outboard	0 - 1	041433
4	Cover - R/V	1	411401	27A	Bearing Cover - Inboard	1 - 2	041431
5	Capscrew - R/V Cover	4	920316	28	Capscrews - Bearing Cover	8	920285
7	Spring Guide - R/V	1	*423955	35	Key - Shaft	1	*909130
8	Spring - R/V (51-75 psi) (Std.)	1	*471420	42	Flange - 1 1/2" NPT	1 - 2	651412
	Spring - R/V (76-110 psi)		471425		Flange - 2" NPT		651411
	Spring - R/V (111-125 psi)		471428		Flange - 2" Weld		654406
	SS Spring - R/V (51-75 psi) (TXS)		471418		Flanged Elbow - 2" NPT		651415
	SS Spring - R/V (76-110 psi) (TXS)		471427	Gasket - Flange	2	*381405#	
	SS Spring - R/V (111-125 psi) (TXS)		471429	42B	Capscrew - Flange NPT/Weld	4 - 8	920351
9	Valve - R/V (Std.)	1	*451417	72	Capscrew - Flanged Elbow		920331
	Valve - R/V (Nickel Plated)		451415		O-Ring - Head (Buna-N)(Std.)	2	*701947#
10	Gasket - R/V Cover	1	*531403#		O-Ring - Head (Viton)		701914
12	Cylinder	1	021403	73	Gage Plug	2	908195
13	Rotor & Shaft (TX, TXS)	1	221455	76	Grease Fitting	2	317815
13A	Rotor & Shaft (TXD, TXSD)	1	221414	76A	Grease Relief Fitting	2	701992
14	Vane - Duravane (Std.)	4	*091419	77	Push Rod	2	*123905
	Vane - Bronze		093922	88	Gasket - R/V Cap	1	*701981#
	Vane - EC Bronze		093924	104	Grease Seal	1 - 2	*331918#
	Vane - Laminate		091427	123A	Dirt Shield	1 - 2	*701480
	Vane - EC Laminate		091429	186	Shaft Protector (TXD, TXSD)	1	341601
20	Head	2	031425		Pump Repair Kit (TX, TXD)		871162
21	Capscrews - Head	16	920331		Gasket Repair Kit		891455
24	Ball Bearing	2	*903158		Air Valve Kit (TX, TXD)		871156

* Parts Included in Pump Repair Kit.
Parts Included in Gasket Repair Kit.

PARTS LIST NO. 285/C2

TX2 - MECHANICAL SEAL - STANDARD

REF. NO.	PART NAME	PARTS PER PUMP	PART NO.
153	Mechanical Seal Complete, Cast Iron Stationary Seat, Carbon Seal Face, Buna-N O-Rings.	2	*331415
153D	O-Ring - Stationary (Buna-N)	2	701934
153L	O-Ring - Rotating (Buna-N)	2	701920

TX2 - MECHANICAL SEAL - OPTIONAL

REF. NO.	PART NAME	PARTS PER PUMP	PART NO.
153	Mechanical Seal Complete, Cast Iron Stationary Seat, Bronze Seal Face, Buna-N O-Rings.	2	331411
153D	O-Ring - Stationary (Buna-N)	2	701934
153L	O-Ring - Rotating (Buna-N)	2	701920

TXS2 - MECHANICAL SEAL - STANDARD

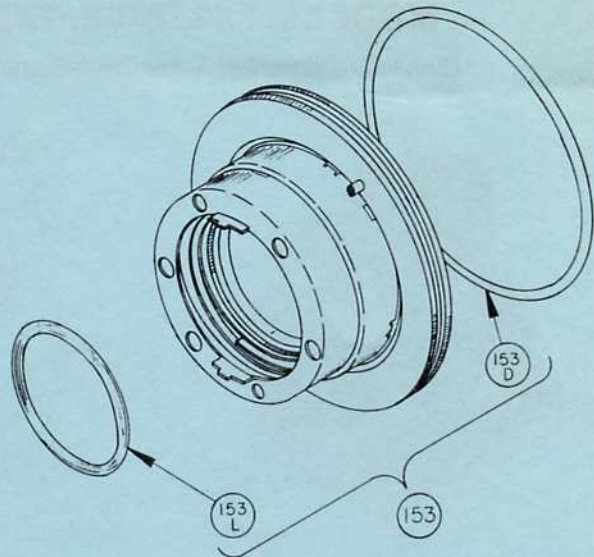
REF. NO.	PART NAME	PARTS PER PUMP	PART NO.
153	Mechanical Seal Complete, Cast Iron Stationary Seat, Buna-N O-Ring, Carbon Seal Face with Teflon Seal Ring.	2	331430
153D	O-Ring - Stationary (Buna-N)	2	701934
153L	Seal Ring - Rotating (Teflon)	2	**

TXS2 - MECHANICAL SEAL - OPTIONAL

REF. NO.	PART NAME	PARTS PER PUMP	PART NO.
153	Mechanical Seal Complete, Cast Iron Stationary Seat, Viton O-Ring, Carbon Seal Face with Teflon Seal Ring.	2	331423
153D	O-Ring - Stationary (Viton)	2	701921
153L	Seal Ring - Rotating (Teflon)	2	**

TXS2 - MECHANICAL SEAL - OPTIONAL

REF. NO.	PART NAME	PARTS PER PUMP	PART NO.
153	Mechanical Seal Complete, Cast Iron Stationary Seat, Carbon Seal Face with Viton O-Rings.	2	331455
153D	O-Ring - Stationary (Viton)	2	701921
153L	O-Ring - Rotating (Viton)	2	701979



TXS2 - MECHANICAL SEAL - OPTIONAL

REF. NO.	PART NAME	PARTS PER PUMP	PART NO.
153	Mechanical Seal Complete, Cast Iron Stationary Seat, Bronze Seal Face, Viton O-Rings.	2	331457
153D	O-Ring - Stationary (Viton)	2	701921
153L	O-Ring - Rotating (Viton)	2	701979

TXS2 - MECHANICAL SEAL - OPTIONAL

REF. NO.	PART NAME	PARTS PER PUMP	PART NO.
153	Mechanical Seal Complete, SS Stationary Seat, Carbon Seal Face, Viton O-Rings.	2	331454
153D	O-Ring - Stationary (Viton)	2	701921
153L	O-Ring - Rotating (Viton)	2	701979

TXS2 - MECHANICAL SEAL - OPTIONAL

REF. NO.	PART NAME	PARTS PER PUMP	PART NO.
153	Mechanical Seal Complete, SS Stationary Seat, Viton O-Ring, Carbon Seal Face with Teflon Seal Ring.	2	331401
153D	O-Ring - Stationary (Viton)	2	701921
153L	Seal Ring - Rotating (Teflon)	2	**

TXS2 - MECHANICAL SEAL - OPTIONAL

REF. NO.	PART NAME	PARTS PER PUMP	PART NO.
153	Mechanical Seal Complete, SS Stationary Seat, Buna-N O-Ring, Carbon Seal Face with Teflon Seal Ring.	2	331450
153D	O-Ring - Stationary (Buna-N)	2	701934
153L	Seal Ring - Rotating (Teflon)	2	**

- * Parts included in Pump Repair Kit.
- ** Teflon Seal Ring is not available as a separate part.