

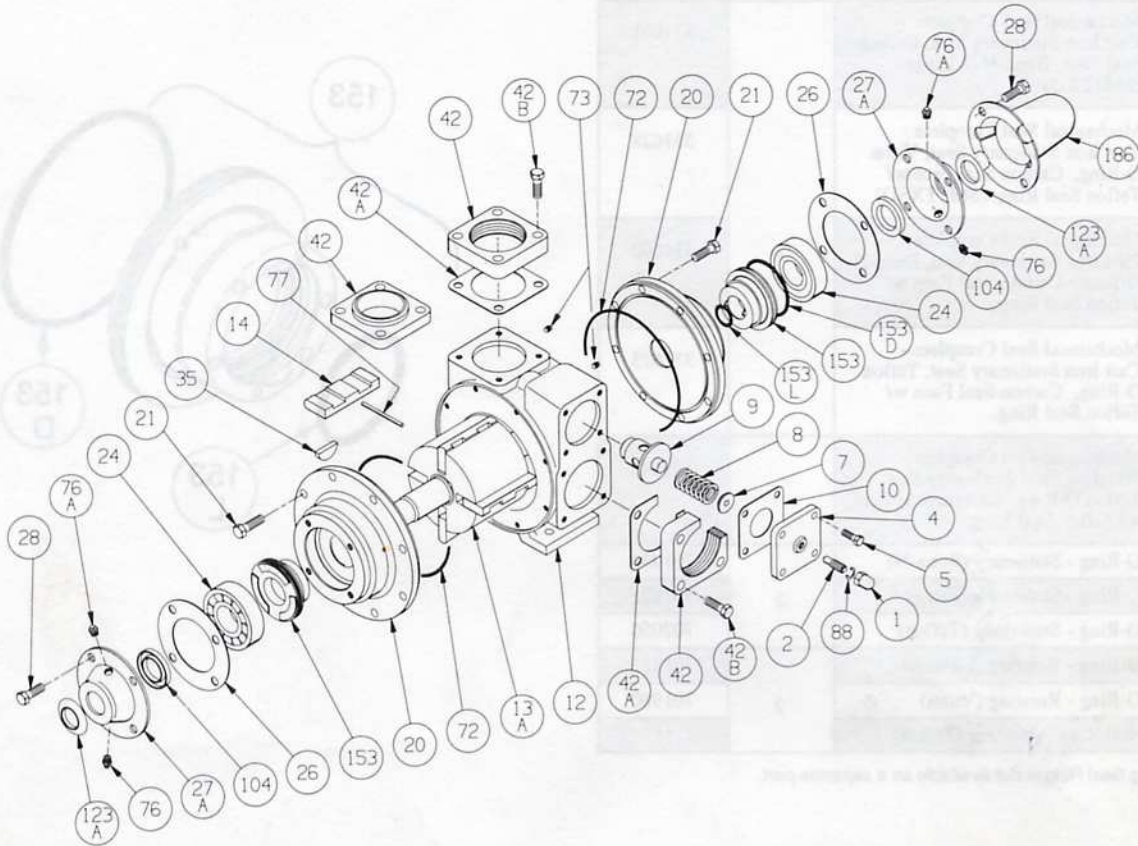
# BLACKMER PUMP PARTS LIST

## MODEL: TXD2A, TXSD2A

(See Instructions 285/C for Operation and Maintenance)

961415  
PARTS LIST NO. 285/C1

Section	200
Effective	October 1994
Replaces	January 1994



REF. NO.	PART NAME	PARTS PER PUMP	PART NO.	REF. NO.	PART NAME	PARTS PER PUMP	PART NO.	
1	Cap - Relief Valve (R/V)	1	411452	24	Ball Bearing	2	903156	
2	Adjusting Screw - R/V	1	431401	26	Gasket - Bearing Cover	2	383940	
4	Cover - R/V	1	411401	27A	Bearing Cover	1 - 2	041431	
5	Capscrew - R/V Cover	4	920316	28	Capscrews - Bearing Cover	8	920285	
7	Spring Guide - R/V	1	423955	35	Key - Shaft	1	909130	
8	Spring - R/V (51-75 psi)	1	471420	42	Flange - 2" NPT	1 - 2	651411	
	Spring - R/V (76-110 psi) (Std.)		471425		Flange - 2" Weld		654405	
	Spring - R/V (111-125 psi)		471428	42A	Gasket - Flange	1 - 2	381405	
	SS Spring - R/V (51-75 psi) <sup>1</sup>		471418	42B	Capscrew - Flange	4 - 8	920351	
	SS Spring - R/V (76-110 psi) <sup>1</sup>		471427	72	O-Ring - Head (Buna-N) (Std. TXD)	2	701947	
SS Spring - R/V (111-125 psi) <sup>1</sup>	471429	O-Ring - Head (Viton) (Std. TXSD)	701914					
9	Valve - R/V (Std. TXD)	1	451417	73	O-Ring - Head (Teflon)	2	702242	
	Valve - R/V (Ni Plated) (Std. TXSD)		451415		Gage Plug	2	908198	
10	Gasket - R/V Cover	1	531403	76	Grease Fitting	2	317815	
12	Cylinder	1	021403	76A	Grease Relief Fitting	2	701992	
13A	Rotor & Shaft - Double Ended (Std.)	1	261411	77	Push Rod	2	123905	
	Vane - Duravane (Std.)		091419		88	Gasket - R/V Cap	1	701981
14	Vane - Bronze	4	093924	104	Grease Seal	1 - 2	331918	
	Vane - Laminate		091429		123A	Dirt Shield	1 - 2	701480
	Head (Std.)		031425		186	Shaft Protector	1	341601
20	Head with Drain	2	031426		Air Valve Kit		891454	
	Capscrews - Head		16	920331		Hydraulic Motor Adapter Kit		See Backside

381421

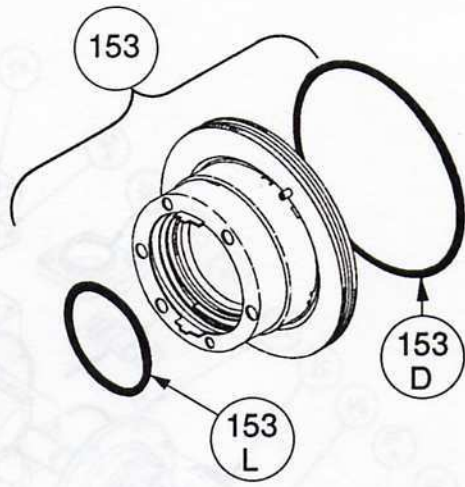
<sup>1</sup> Stainless Steel Spring available for TXSD Models Only.  
Viton and Teflon are Registered Trademarks of E.I. DuPont.

**IMPORTANT NOTE:** This parts list should be kept with Installation, Operation and Maintenance Instructions 285/C.

BLACKMER PUMP PARTS LIST  
MODEL: TXD2A, TXSD2A

MECHANICAL SEALS - TX(S)D2A MODELS

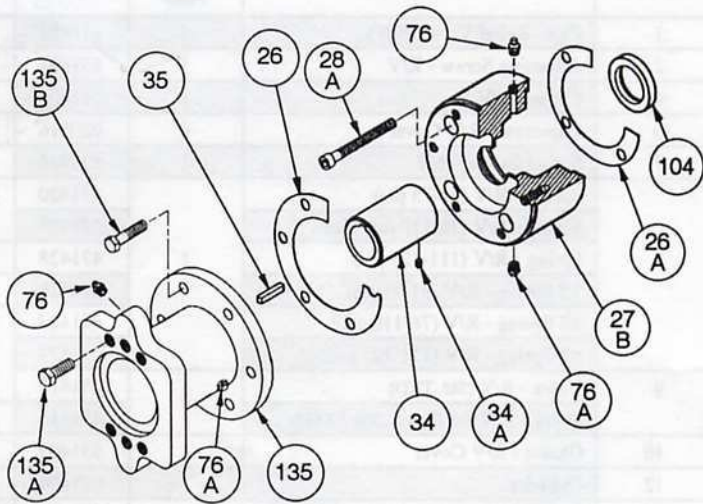
REF. NO.	PART NAME	PARTS PER PUMP	PART NO.
153	Mechanical Seal Complete - Cast Iron Stationary Seat, Carbon Seal Face, Buna-N O-Rings. (Std. TXD)	2	331601
	Mechanical Seal Complete - Cast Iron Stationary Seat, Viton O-Ring, Carbon Seal Face w/ Teflon Seal Ring. (Std. TXSD)		331628
	Mechanical Seal Complete - Cast Iron Stationary Seat, Buna-N O-Ring, Carbon Seal Face w/ Teflon Seal Ring.		331602
	Mechanical Seal Complete - Cast Iron Stationary Seat, Teflon O-Ring, Carbon Seal Face w/ Teflon Seal Ring.		331673
	Mechanical Seal Complete - Stainless Steel Stationary Seat, Teflon O-Ring, Carbon Seal Face w/ Teflon Seal Ring.		331648
153D	O-Ring - Stationary (Buna-N)	2	701934
	O-Ring - Stationary (Viton)		701921
	O-Ring - Stationary (Teflon)		702056
153L	O-Ring - Rotating (Buna-N)	2	701922
	O-Ring - Rotating (Viton)		701980
	Seal Ring - Rotating (Teflon)		**



\*\* Teflon Rotating Seal Ring is not available as a separate part.

OPTIONAL HYDRAULIC MOTOR ADAPTER PARTS

REF. NO.	PART NAME	PARTS PER PUMP	PART NO.
See Below	Hydraulic Motor Adapter Kit	See Below	891400
26	Gasket - Bearing Cover	1	385125
26A	Gasket - Bearing Cover	1	383940
27B	Bearing Cover/Spacer	1	831400
28A	Capscrew - Bearing Cover/Head	4	920408
34	Coupling	1	906926
34A	Setscrew - Coupling	1	922075
35	Key - Coupling	1	909184
76	Grease Fitting	2	317815
76A	Grease Relief Fitting	2	701992
104	Grease Seal	1	331918
135	Hydraulic Motor Adapter SAE A	1	041803
135A	Capscrew - Adapter/Motor	2 - 4	920510
135B	Capscrew - Adapter/Bearing Cover	6	920331



**blackmer**

A DOVER RESOURCES COMPANY

1809 Century Avenue, Grand Rapids, Michigan 49509 U.S.A.  
Telephone: (616) 241-1611 • Fax: (616) 241-3752