

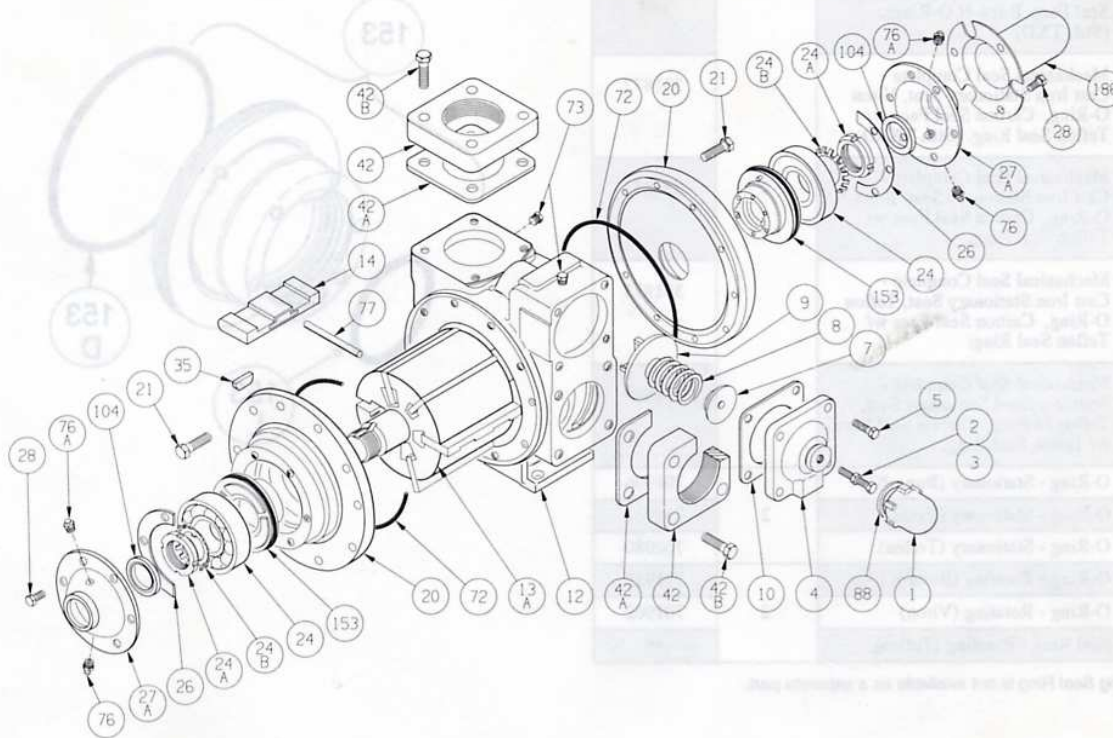
BLACKMER PUMP PARTS LIST

MODEL: TXD3E, TXSD3E

(See Instructions 285/C for Operation and Maintenance)

961815
PARTS LIST NO. 285/C5

Section 200
Effective October 1994
Replaces January 1994



REF. NO.	PART NAME	PARTS PER PUMP	PART NO.	REF. NO.	PART NAME	PARTS PER PUMP	PART NO.
1	Cap - Relief Valve (R/V)	1	413952	24B	Lockwasher - Bearing	2	903524
2	Adjusting Screw - R/V	1	431808	26	Gasket - Bearing Cover	2	385125
3	Locknut - Adjusting Screw	1	922923	27A	Bearing Cover - Inboard	1 - 2	041815
4	Cover - R/V	1	411807	28	Capscrews - Bearing Cover	12	920285
5	Capscrew - R/V Cover	4	920331	35	Key - Shaft (Std.)	1	909178
7	Spring Guide - R/V	1	421805	42	Flange - 3" NPT	1 - 2	651803
8	Spring - R/V (51-110 psi)(Std.)	1	471806	42A	Flange - 3" Weld	1 - 2	655106
	Spring - R/V (111-125 psi)		471809	42A	Gasket - Flange		381811
	SS Spring - R/V (51-110 psi) ¹		471807	42B	Capscrew - NPT Flange		920532
	SS Spring - R/V (111-125 psi) ¹		471808	42B	Capscrew - Weld Flange		920510
9	Valve - R/V (Std. TXD)	1	451807	72	O-Ring - Head (Buna-N) (Std. TXD)	2	701944
	Valve - R/V (Nickel Plated) (Std. TXSD)		451808		O-Ring - Head (Viton) (Std. TXSD)		711938
10	Gasket - R/V Cover	1	531803		O-Ring - Head (Teflon)		702233
12	Cylinder	1	021805	73	Gage Plug	2	908198
13A	Rotor & Shaft Asy. - Double Ended (Std.) (Includes Ref. Nos. 24A & 24B)	1	261837	76	Grease Fitting	2	317815
14	Vane - Duravane (Std.)	6	091819	76A	Grease Relief Fitting	2	701992
	Vane - Bronze		091804	77	Push Rod	3	121807
	Vane - Laminate		091829	88	Gasket - R/V Cap	1	533908
20	Head	2	031815	104	Grease Seal	1 - 2	331908
21	Capscrews - Head	20	920369	186	Shaft Protector	1	341801
24	Ball Bearing	2	903172		Air Valve Kit		891798
24A	Locknut - Bearing	2	903523		Hydraulic Motor Adapter Kit		See Backside

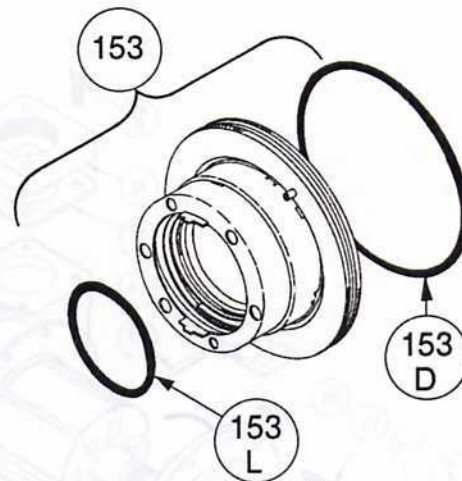
¹ Stainless Steel Spring available for TXSD Models Only.
Viton and Teflon are Registered Trademarks of E.I. DuPont.

IMPORTANT NOTE: This parts list should be kept with Installation, Operation and Maintenance Instructions 285/C.

PARTS LIST NO. 285/C6

MECHANICAL SEALS - TX(S)D3E MODELS

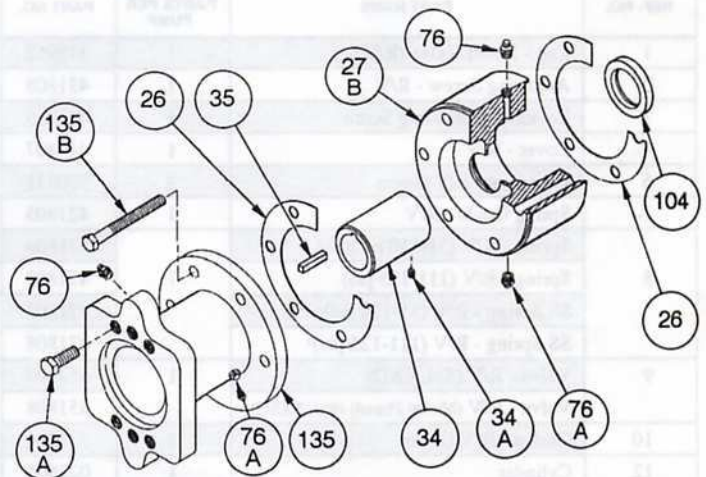
REF. NO.	PART NAME	PARTS PER PUMP	PART NO.
153	Mechanical Seal Complete - Cast Iron Stationary Seat, Carbon Seal Face, Buna-N O-Rings. (Std. TXD)	2	331880
	Mechanical Seal Complete - Cast Iron Stationary Seat, Viton O-Ring, Carbon Seal Face w/ Teflon Seal Ring. (Std. TXSD)		331872
	Mechanical Seal Complete - Cast Iron Stationary Seat, Buna-N O-Ring, Carbon Seal Face w/ Teflon Seal Ring.		331882
	Mechanical Seal Complete - Cast Iron Stationary Seat, Teflon O-Ring, Carbon Seal Face w/ Teflon Seal Ring.		331873
	Mechanical Seal Complete - Stainless Steel Stationary Seat, Teflon O-Ring, Carbon Seal Face w/ Teflon Seal Ring.		331899
153D	O-Ring - Stationary (Buna-N)	2	701936
	O-Ring - Stationary (Viton)		711931
	O-Ring - Stationary (Teflon)		702080
153L	O-Ring - Rotating (Buna-N)	2	711912
	O-Ring - Rotating (Viton)		701962
	Seal Ring - Rotating (Teflon)		**



** Teflon Rotating Seal Ring is not available as a separate part.

OPTIONAL HYDRAULIC MOTOR ADAPTER PARTS

REF. NO.	PART NAME	PARTS PER PUMP	PART NO.
See Below	Hydraulic Motor Adapter Kit	See Below	895138
26	Gasket - Bearing Cover	2	385125
27B	Bearing Cover/Spacer	1	835137
34	Coupling	1	906926
34A	Setscrew - Coupling	1	922075
35	Key - Coupling	1	909184
76	Grease Fitting	2	317815
76A	Grease Relief Fitting	2	701992
104	Grease Seal	1	331908
135	Hydraulic Motor Adapter - SAE A	1	041803
135A	Capscrew - Adapter/Motor	2 - 4	920510
135B	Capscrew - Adapter/Bearing Cover	6	920438



blackmer

A **DOVER** RESOURCES COMPANY

1809 Century Avenue, Grand Rapids, Michigan 49509 U.S.A.
Telephone: (616) 241-1611 • Fax: (616) 241-3752