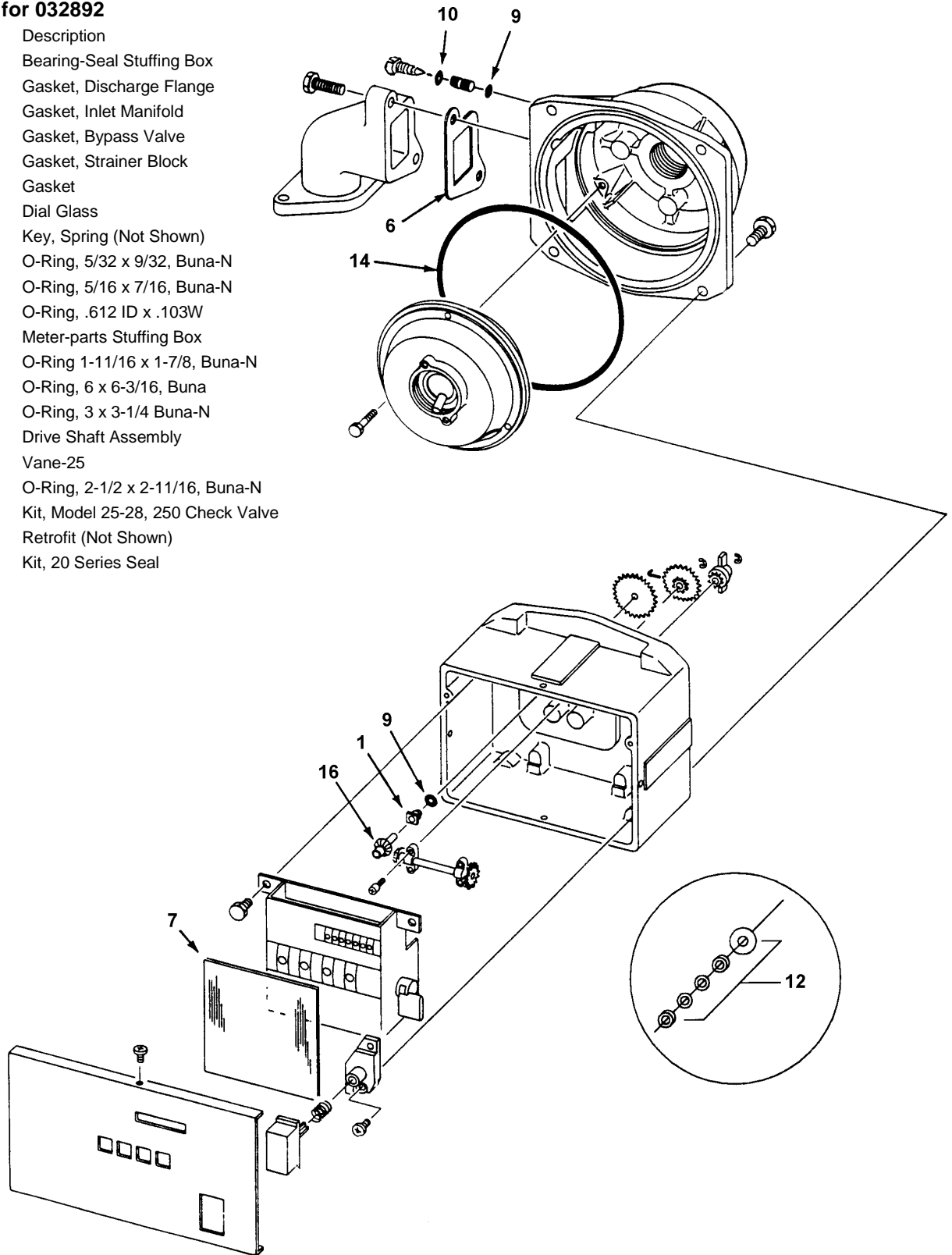


INSTRUCTIONS – REPAIR KIT 032892 FOR SERIES 25-26

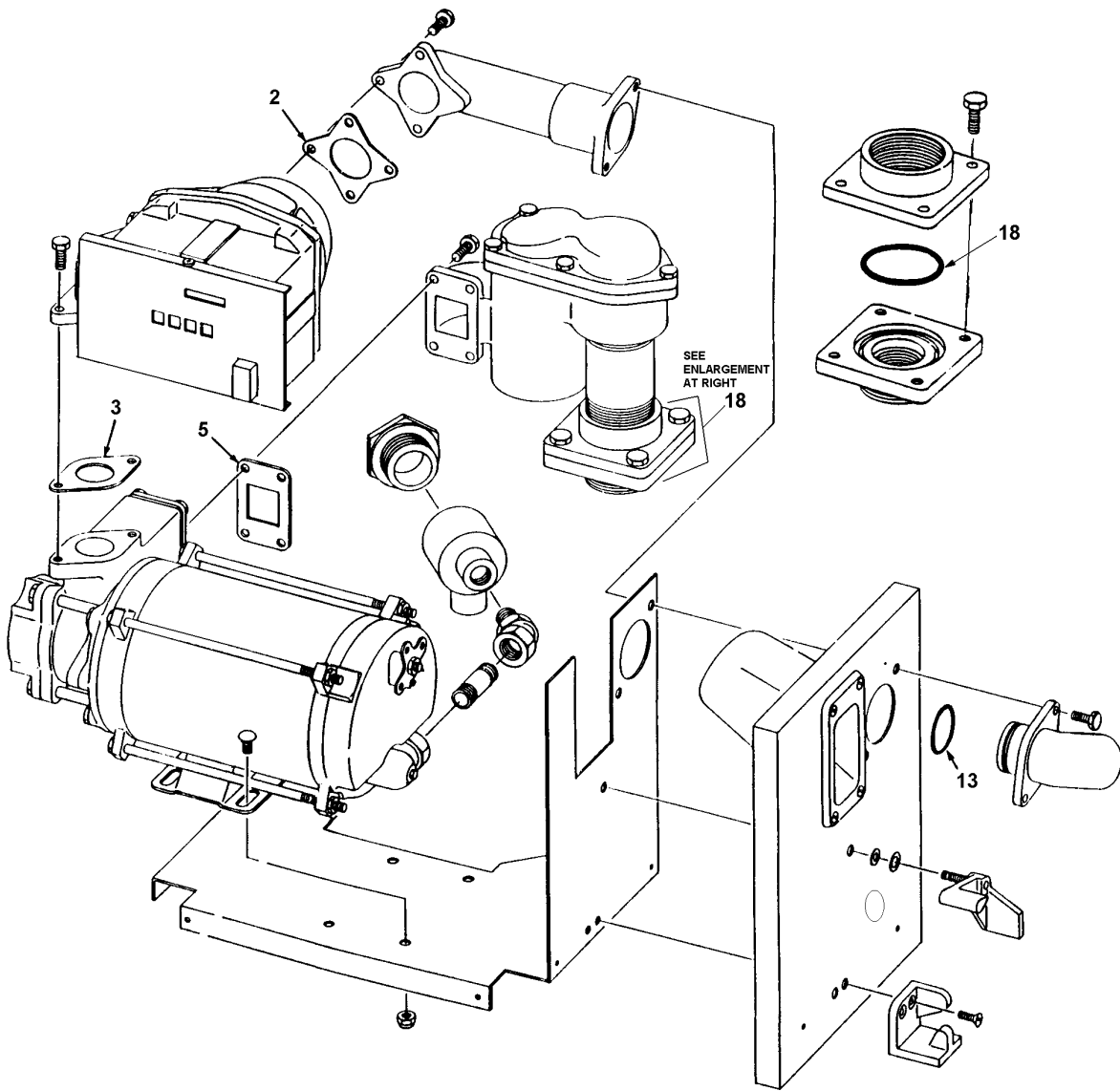
This sheet lists the contents of your repair kit and shows the part locations, using three different views.

Kit Contents for 032892

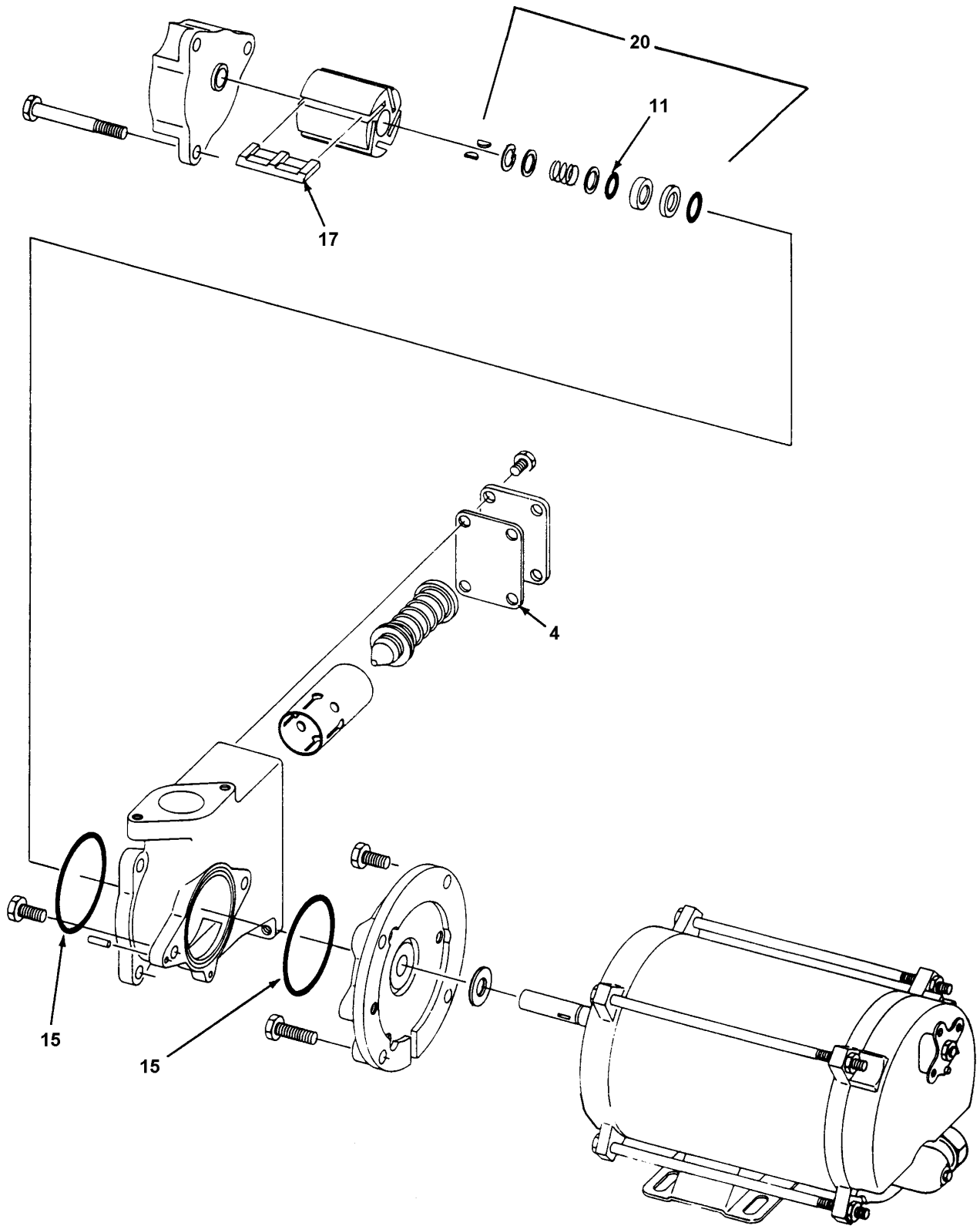
Item	Part No.	Description
1	014095	Bearing-Seal Stuffing Box
2	026809	Gasket, Discharge Flange
3	026810	Gasket, Inlet Manifold
4	026811	Gasket, Bypass Valve
5	026812	Gasket, Strainer Block
6	026814	Gasket
7	028736	Dial Glass
8	031345	Key, Spring (Not Shown)
9	048865	O-Ring, 5/32 x 9/32, Buna-N
10	048895	O-Ring, 5/16 x 7/16, Buna-N
11	048941	O-Ring, .612 ID x .103W
12	036995	Meter-parts Stuffing Box
13	049062	O-Ring 1-11/16 x 1-7/8, Buna-N
14	049063	O-Ring, 6 x 6-3/16, Buna
15	049180	O-Ring, 3 x 3-1/4 Buna-N
16	054512	Drive Shaft Assembly
17	067061	Vane-25
18	049167	O-Ring, 2-1/2 x 2-11/16, Buna-N
19	032083	Kit, Model 25-28, 250 Check Valve Retrofit (Not Shown)
20	054030	Kit, 20 Series Seal



View 1: Meter



View 2: Pump Assembly



View 3: Pump and Motor Assembly