



API Bottom Loading Adaptor

880-404



Features

Heat-treated, aluminum alloy body and flange

Hard-coated aluminum API adaptor end

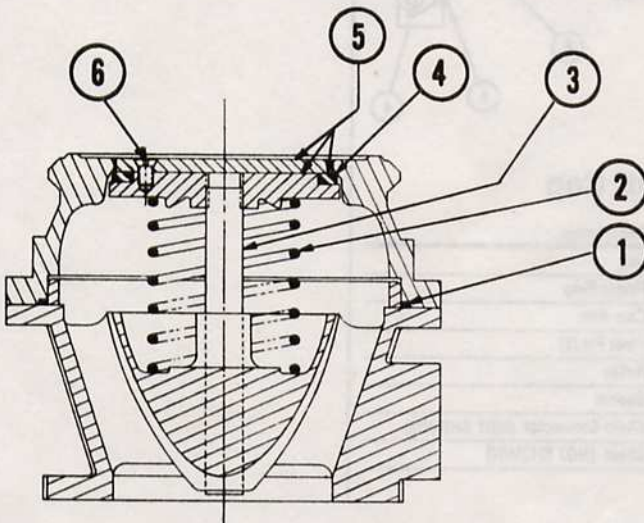
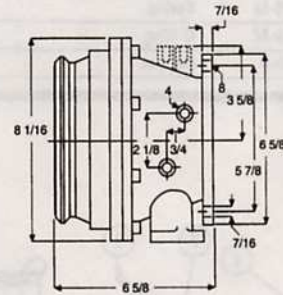
Stainless steel poppet

Viton® seals

Meets API RP 1004 specifications

Part no. **Size (in.)** **Lbs.**

880-404-01 4.00 11.00



880-404

ITEM	NAME	QTY REQ'D	PART NO.
1	Seal Ring (Viton)	1	11034-02
2	Spring	1	880-127-01
3	Stem	1	880-108-01
4	Poppet Seal Gasket (Viton)	1	880-116-01
5	Service Kit	1	90005
6	Flat Hd. Sock Cap Screw	3	11067-03
7	Socket Head Screws	8	11030-06
8	Body	1	880-400-01
9	API Adaptor	1	880-401-01