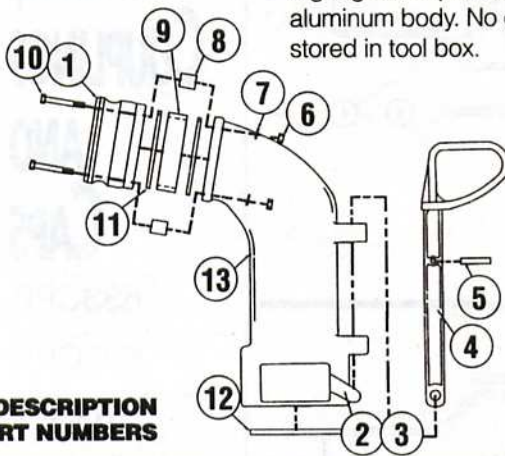


F523 4" Product Drop Elbow



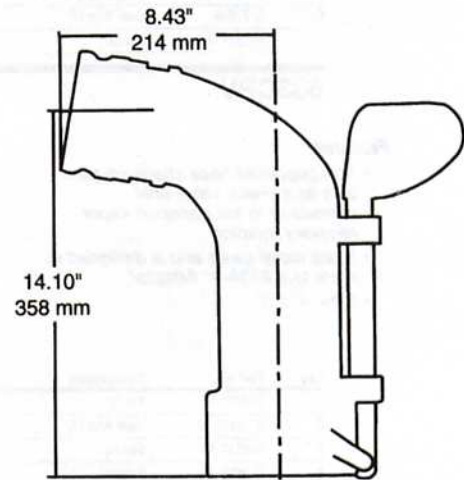
FEATURES AND BENEFITS

- Industry's lightest 4" x 4" product drop elbow.
- Excellent flow rate.
- Reduces inventory. Parts can be interchanged with F298: Cams, handle and shaft, sight glass, 4" Cam & Groove and 4" FNPT.
- Sight glass is protected by aluminum body. No damage when stored in tool box.



DESCRIPTION AND PART NUMBERS

| PART NUMBER | DESCRIPTION | WEIGHT |
|-------------|----------------------|---------------------|
| F523-006 | 4" x 4" Cam & Groove | 13.00 lbs - 5.90 kg |
| F523-007 | 4" x 4" FNPT | 13.00 lbs - 5.90 kg |
| F523-008 | 4" x 3" Cam & Groove | 12.94 lbs - 5.87 kg |
| F523-009 | 4" x 3" FNPT | 12.94 lbs - 5.87 kg |



| REF | DESCRIPTION | PART # F523-006 | PART # F523-007 | PART # F523-008 | PART # F523-009 | REQ'D | MATERIAL |
|-----|-------------------|-----------------|-----------------|-----------------|-----------------|-------|-------------------|
| 1 | Liquid Adapter | 561558 | 564218 | 565233 | 565235 | 1 | Aluminum |
| 2 | Cam, Right Hand | 408615 | 408615 | 408615 | 408615 | 1 | Aluminum & Bronze |
| 3 | Cam, Left Hand | 408617 | 408617 | 408617 | 408617 | 1 | Aluminum & Bronze |
| 4 | Handle | 562246 | 562246 | 562246 | 562246 | 1 | Aluminum |
| 5 | Pin | 470078 | 470078 | 470078 | 470078 | 1 | Stainless Steel |
| 6 | Hex Nuts, 5/16-18 | 403150 | 403150 | 403150 | 403150 | 4 | Steel |
| 7 | Lockwashers, 5/16 | 470034 | 470034 | 470034 | 470034 | 4 | Steel |
| 8 | Spacers | 561567 | 561567 | 561567 | 561567 | 4 | Aluminum |
| 9 | Sight Glass | 561568 | 561568 | 561568 | 561568 | 1 | — |
| 10 | Hex Cap Screws | 447380 | 447380 | 447380 | 447380 | 4 | Steel Plated |
| 11 | Tetraseals | 561814 | 561814 | 561814 | 561814 | 2 | — |
| 12 | Gasket | 408604 | 408604 | 408604 | 408604 | 1 | Buna |