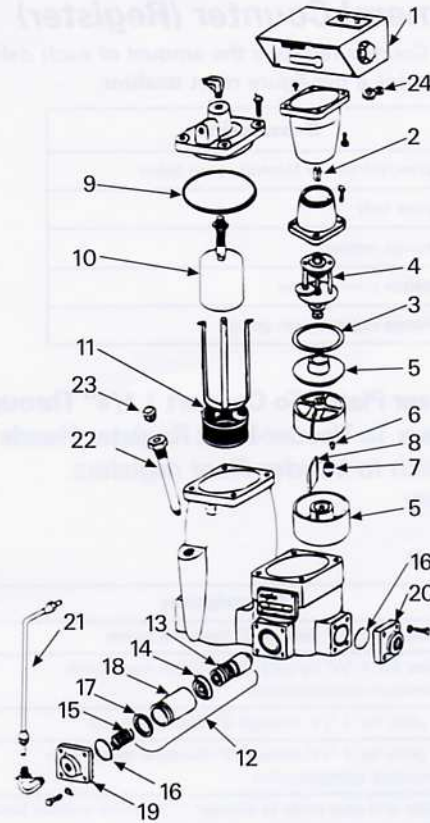


3/4" & 1" Fill Station Type 4D & 4D-MD

3/4" Type 4D

Index	Description	Part #	
		3/4"	1"
1	Register complete 600 series/gal.	100498-009	100498-016
2	Coupling & key assy.	100711-004	82976-001
3	Main case gasket	4861-016	
4	Gear train complete	80905-012	80905-017
5	Measuring chamber complete	42075-101	101748-001
6	Seal pin	42792-000	
7	Control roller	42086-000	
8	Diaphragm	42791-000	
8A	Diaphragm Kit, Includes # 7 & 8	42075-702	
9	O-ring	100139-012	
10	Float assy.	—	400026-001
11	Strainer	87185-000	101738-001
12	Differential valve kit complete	100028-001	
13	Piston	100160-002	



1" With 3/4" FPT Connections

Type 4D & Type 4D-MD

Index	Description	Part #	
		3/4"	1"
14	U cup, seal	100025-00	
15	Spring	100024-00	
16	Cover o-ring	100139-00	
17	Sleeve sealing o-ring	100139-00	
18	Valve sleeve	100027-00	
19	Cover flange	400020-002	
20	Flange, inlet or outlet	87180-700	
21	Tube assembly	87196-00	
22	Thermometer well assy.	1001906	
23	Cover, thermometer well	83732-00	
24*	Change gear	8123-0_	
25	Strainer cover	—	101745-001
—	Complete gasket set	101756-00	

