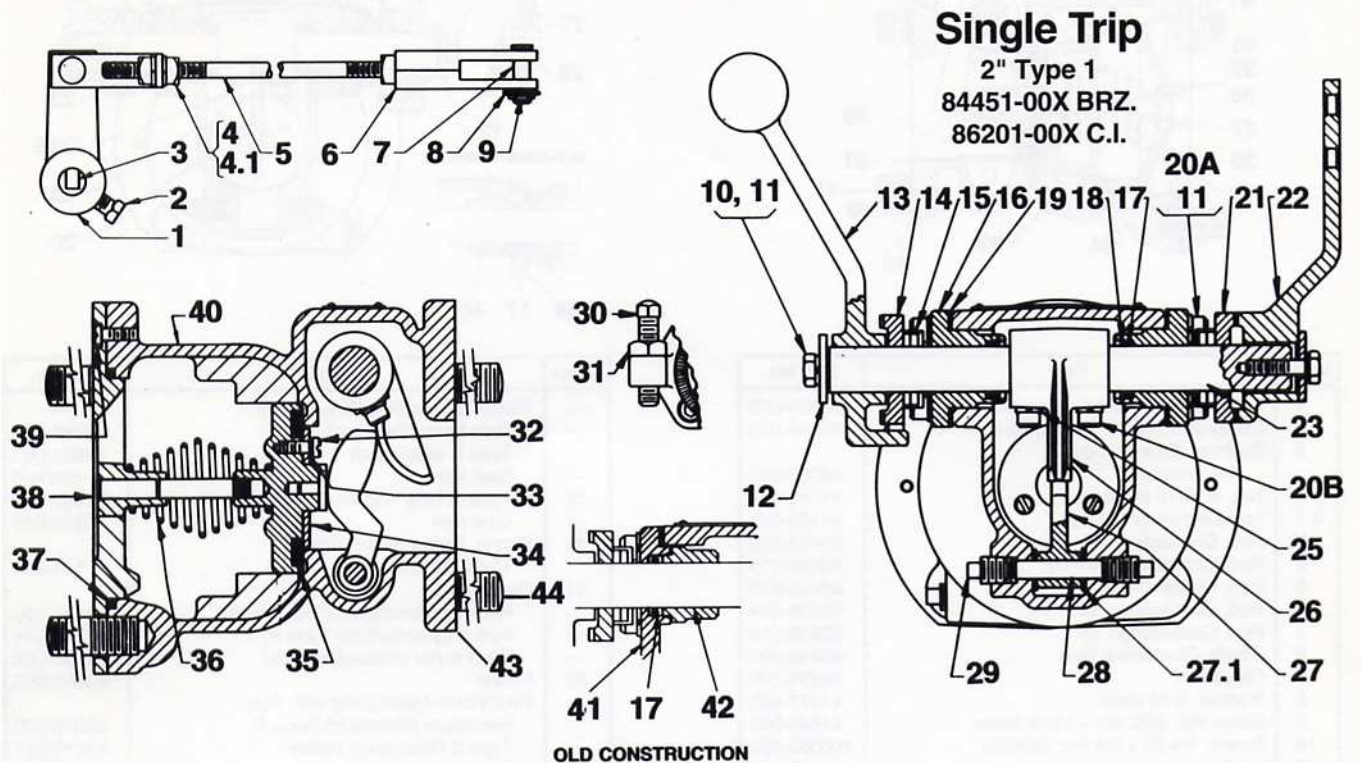


BRONZE AUTO-STOP VALVES (TYPE 1 AND 1A)

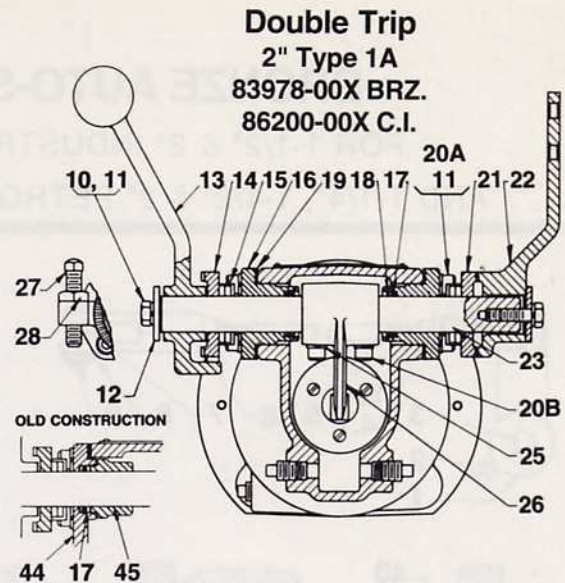
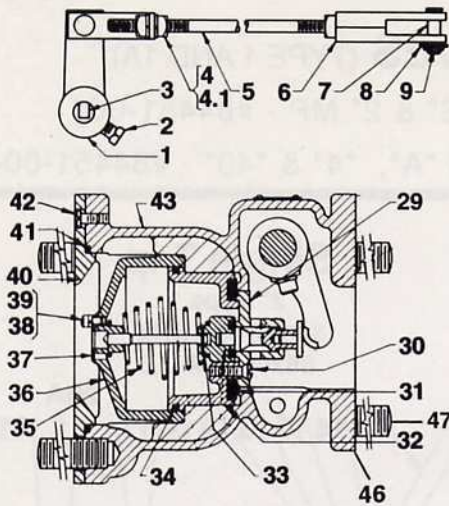
FOR 1-1/2" & 2" INDUSTRIAL TYPES "S" & 2" MP - #84451-001

AND 1-1/4", 1-1/2" & 2" PETROLEUM TYPES "A", "4" & "40" - #84451-004



Index	Part	Part No.
1	Arm Complete, Connecting Link	84603-000
2	Setscrew, 5/16-18 x 5/8 sq hd st	41546-000
3	Bushing, Connecting Link Arm (knurled)	48858-001
4	Nut, 5/16-18 sq. steel	41545-000
4.1	Lockwasher, 5/16 steel	41168-001
5	Rod, Connecting - 9"	83435-009
5	Rod, Connecting - 10-1/2"	83435-105
5	Rod, Connecting - 12"	83435-012
5	Rod, Connecting - 14"	83435-014
5	Rod, Connecting - 16"	83435-016
6	Clevis, Connecting Rod	83433-000
7	Clevis Pin	83434-000
8	Washer, 5/16 steel	41477-000
9	Cotter Pin, 3/32 dia x 11/16 brass	41640-000
10	Screw, 1/4-20 x 3/4 hex hd steel	100059-025
11	Lockwasher, 1/4 steel	41117-000
12	Washer	40508-000
13	Handle, Operating	83776-000
14	Stop Plate, Handle (left-hand)	83779-000
15	Pin, Operating shaft, 1/4 dia x 1-1/4 (Rollpin)	100370-017
16	Bracket Assy with Buna-N O-ring with Teflon O-ring	84089-001 84089-003
17	O-ring, Buna-N Teflon Viton	100139-001 100234-001 100139-003
18	Retainer, Truarc	8579-108
19	Gasket, Bearing Bracket-Vellumold Teflon	83422-000 83422-002
20A	Screw, 1/4-20 X 3/4 Allen hd st st	83784-000
20B	Screw, 1/4-20 X 1" Allen hd st st	83783-001
21	Stop Plate, Handle (right-hand)	83778-000
22	Arm, Connecting Rod	83997-000
23	Shaft, Operating	83993-001

Index	Part	Part No.
25	Lockwasher, 1/4 bronze	86213-000
26	Cam, Operating	84460-000
27	Cam, Intermediate Operating	84461-000
27.1	Spacer, Cam (when necessary)	80919-000
28	Shaft, Intermediate Operating Cam	84462-000
29	Plug, Pipe 1/8 brass	100075-007
30	Screw, Stop 5/16-18 x 1-1/2 sq hd oval pt	83785-000
31	Nut, Stop 5/16-18 sq steel	41545-000
---	Holder Complete, Valve Disc	---
---	Petroleum	84454-000
---	Type S	84454-001
32	Screw, Valve Disc Retaining, 10-32 (special)	50272-003
33	Lockwasher, No. 10 bronze	41510-000
34	Retainer, Valve Disc	84458-000
35	Disc Valve	---
---	Buna-N (Standard for Red Seal)	83983-000
---	Teflon (Standard for Type S)	83983-001
---	Viton A (for unusual service)	83983-002
36	Spring, Valve	85007-001
37	Gasket, Retaining Ring Buna-N O-ring Teflon O-ring	100139-016 100139-017
38	Ring, Spring Retaining	84459-000
39	Screw, 10-32 x 3/8 fil hd	733-001
40	Body Assembled with studs (C.I.) with studs (Type S) BRZ without studs (Petroleum) BRZ	86202-1 84452-000 84452-003
41	Note: Parts 41 and 42 have been replaced by part 16.	---
42		---
43	Flange Gasket Graph, Asbestos Teflon	42948-007 42948-011
44	Stud	82678-000



Double Trip
2" Type 1A
83978-00X BRZ.
86200-00X C.I.

Index	Part	Part No.
1	Arm Complete, Connecting Link	84603-000
2	Setscrew, 5/16-18 x5/8 sq hd st	41546-000
3	Bushing, Connecting Link Arm (knurled)	48858-001
4	Nut, 5/16-18 sq. steel	41545-000
4.1	Lockwasher, 5/16 steel	41168-001
5	Rod, Connecting - 9"	83435-009
5	Rod, Connecting - 10-1/2"	83435-105
5	Rod, Connecting - 12"	83435-012
5	Rod, Connecting - 14"	83435-014
5	Rod, Connecting - 16"	83435-016
6	Clevis, Connecting Rod	83433-000
7	Clevis Pin	83434-000
8	Washer, 5/16 steel	41477-000
9	Cotter Pin, 3/32 dia x 11/16 brass	41640-000
10	Screw, 1/4-20 x 3/4 hex hd steel	100059-025
11	Lockwasher, 1/4 steel	41117-000
12	Washer	40508-000
13	Handle, Operating	83776-000
14	Stop Plate, Handle (left-hand)	83779-000
15	Pin, Operating shaft, 1/4 dia x 1-1/4 (Rollpin)	100370-017
16	Bracket Assy with Buna-N O-ring with Teflon O-ring	84089-001 84089-003
17	O-ring, Buna-N Teflon Viton	100139-001 100234-001 100139-003
18	Retainer, Truarc	8579-108
19	Gasket, Bearing Bracket, Vellumold Teflon	83422-000 83422-002
20A	Screw, 1/4-20 X 3/4 Allen hd st st	83784-000
20B	Screw, 1/4-20 x 1" Allen hd st st	83783-001
21	Stop Plate, Handle (right-hand)	83778-000
22	Arm, Connecting Rod	83997-000
23	Shaft, Operating	83993-001
25	Lockwasher, 1/4	86213-000
26	Cam, Operating	83994-000
27	Screw, Stop, 5/16-18 x 1-1/2 sq hd oval pt	83785-000
28	Nut, Stop, 5/16-18 sq steel	41545-000

Index	Part	Part No.
---	Piston & Throttling Ring Assam.	---
---	Petroleum (Standard)	83981-002
---	Type S (Standard)	83981-001
---	Cast Iron	86204-0
29	Throttling Ring Assam. with Rod	83984-000
---	Cast Iron	83984-002
30	Screw, Piston Assembling, 10-32 (special)	581-008
31	Disc, Valve	---
---	Buna-N (Standard for Petroleum)	83983-000
---	Teflon (Standard for Type S)	83983-001
---	Viton A (for unusual service)	83983-002
32	Piston	83982-000
---	Pilot Valve Assembling with Rod	---
---	Petroleum (Standard) Buna-N	85012-000
---	Type S (Standard) Teflon	85012-001
33	Rollpin, 1/16 dia x 1/2	100370-004
34	Ring, Piston	83989-000
35	Spring, Valve	85007-001
36	Cylinder Assembled with Plate	85014-000
37	Plate, Orifice	85015-000
38	Washer, No. 8 stainless	41982-002
39	Screw, 8-32 x 5/16 fil hd	50351-002
40	Ring, Cylinder Retaining	83992-000
41	Gasket, Retaining Ring Buna-N O-ring Teflon O-Ring	100139-016 100139-017
42	Screw, 10-32 x 3/8 fil hd	733-001
43	Body Assembled	---
---	with studs Cast Iron	86202-1
---	with studs (Type S)	84452-000
---	without studs (Petroleum)	84452-003
44	Note: Parts 44 and 45 have been replaced by part 16.	---
45	---	---
46	Flange Gasket Graphite Asbestos Teflon	42948-007 42948-011
47	Stud	82678-000

Schlumberger Industries

Measurement Division
 1310 Emerald Road
 Greenwood, SC 29646-8800
 Phone: (803) 223-1212
 Fax: (803) 223-0341
 Customer Service: 1-800-833-6971

Canada:
 7275 West Credit Avenue
 Mississauga, Ontario L5N 5M9
 Phone: (416) 858-4211
 Fax: (416) 858-0428

Intl.:
 200 Ashford Center North, Suite 200
 Atlanta, GA 30338
 Phone: (404) 913-1250
 Fax: (404) 913-1251

United Kingdom:
 Salmon Fields, Royton, Oldham,
 Lancashire, England OL2 6BX
 Phone: (44) 61 627 0333 Telex: 851-668064
 Fax: (44) 61 627 0295