

Parts - Neptune Meters

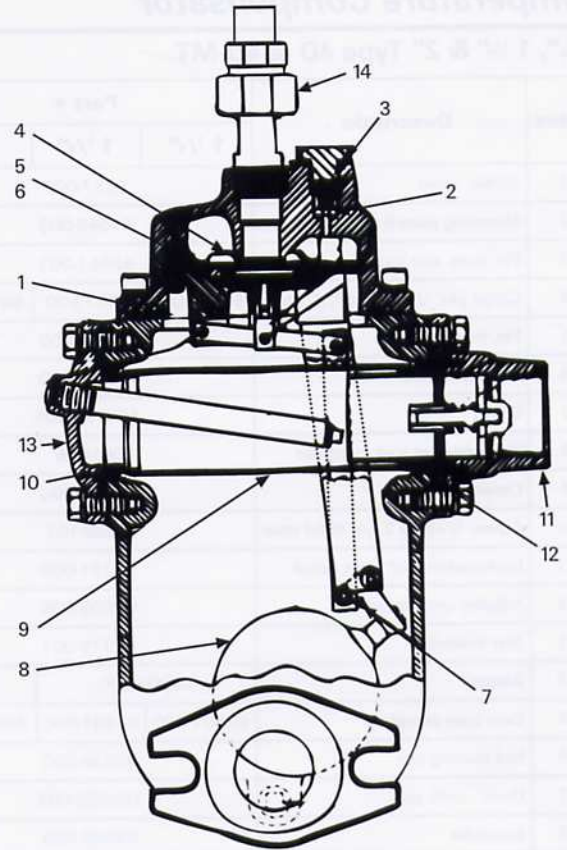
Vapor Release & Strainer

1 1/4", 1 1/2" & 2" Type 4D & 4D-MT*

Index	Description	Part #		
		1 1/4"	1 1/2"	2"
2	Gasket, o-ring	100139-022		
2	Valve Assy. bypass	100237-001		
3	O-ring, 1/16" sect x 1 1/16" ID	100138-006		
4	Main valve complete	89274-006		
5	Sleeve, valve	82446-005		
6	Piston, seal	83179-000		
7	Cotter pin, 1/16" dia x 1/2", brass	41402-000		
8	Float, complete	82476-001		
9	Strainer & gasket Assy. (80-mesh)	101433-704	101405-004	
10	Gasket, strainer, o-ring	100139-032	100139-038	
11	Inlet check valve, complete (soft seal)	84983-704	84813-702	
12	Gasket, o-ring	100139-01	84818-000	
13	Strainer cover (with thermometer well)	83485-702	84811-701	
	Strainer cover (without thermometer well)	83486-705	84812-702	
14	Valve, vapor return check (straight type)	84828-000		

*4D= Steel Case

4D-MT= Aluminum Case



CAUTION - Diaphragm Replacement

Before removing any bolts from the cover, the threaded rod (3/8-16 UNC all-thread bolts 6" long), washer (1 1/2" diameter) and 3/8" nut must be in place to keep spring compressed. The threaded rod is inserted through the cover center hole and screwed securely into threaded hole in diaphragm nut. The washer is then placed onto the rod and the nut is screwed down until spring pressure is felt. The cover bolts can now be removed and cover taken off.

The Diaphragm assembly can be removed from cover by slowly loosening the nut on the threaded rod until spring returns to its free length and exerts no pressure on the assembly. **CAUTION MUST BE TAKEN TO MAKE SURE THE THREADED ROD DOES NOT UNSCREW FROM THE DAIPHGRAM NUT BEFORE SPING PRESSURE IS TAKEN OFF THE ASSEMBLY.** The nut and washer are then removed to take apart diaphragm assembly, spring and cover.

FOLLOW ABOVE STEPS IN REVERSE TO REASSEMBLE VALVE.

Differential Valve

Index	Description	Part #		
		1 1/4"	1 1/2"	2"
1	Spring, valve	83775-000		
	Diaphragm, complete	1001571	1011569	
2	Screw, diaphragm	83774-002		
3	Lockwasher, 7/16" steel	41012-002		
4	Retainer, spring	83773-000		
5	Retainer, diaphragm	83772-002		
6	Diaphragm	1000624		
7	Gasket, o-ring	100139-001		
8	Valve stem assembled	83768-002		
9	Gasket, flang	82060-000	84818-000	

