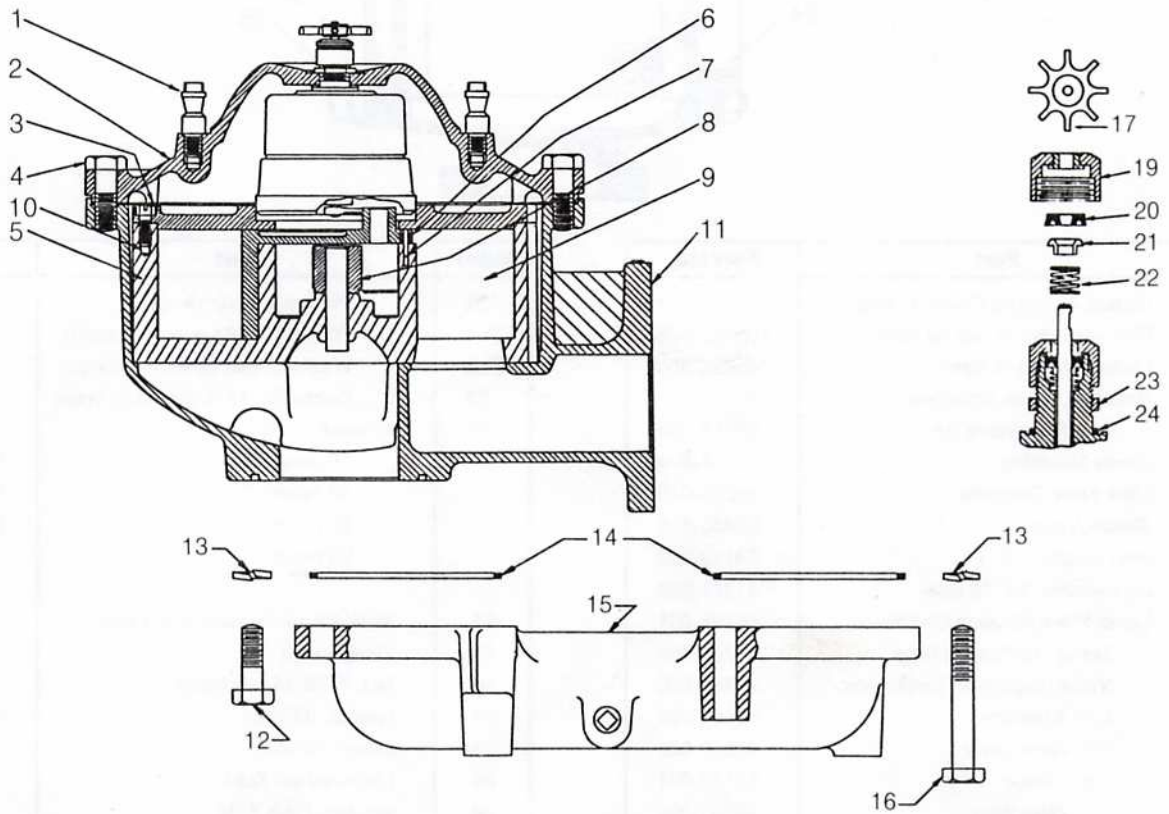


2" Type 4 Flowmeters (with Air Release & Strainer)
 2" Type 40 Flowmeters (w/out Air Release & Strainer)
 Parts List

Part No. 83451-4XX



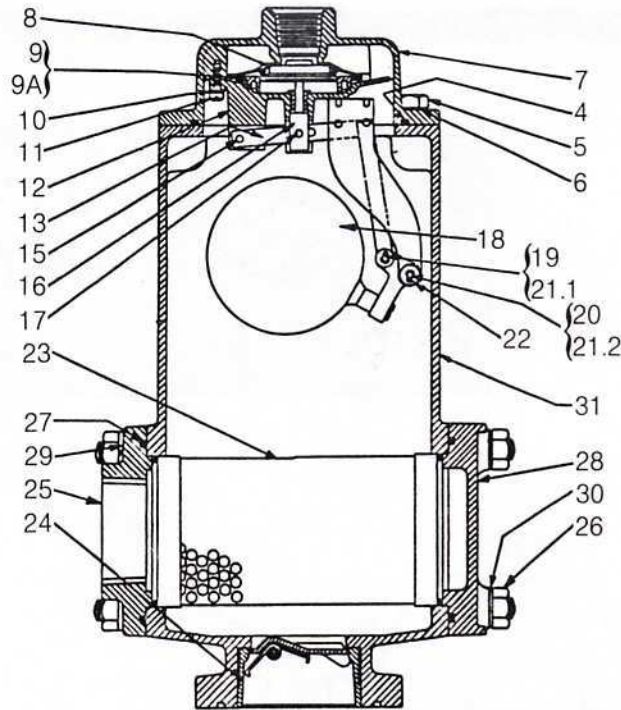
Index	Part	Part No.
1	Stud, Register Clamp	84435-000
2	Cover, Main Case	45815-003
3	Gasket, Main Case	45814-000
4	Bolt, 7/16-14x1-3/8 hex hd	795-003
5	Measuring Chamber Complete	45806-101
6	Pin, Seal	42546-000
7	Dowel Stud, Seal Pin	2857-003
8	Roller, Control	42316-001
9	Diaphragm	42312-001
10	Screw, Measuring Chamber	88638-000
11	Main Casing (round flange)	83452-003
12	Bolt, 5/8-11x1-1/2 hex hd	100085-025
13	Lockwasher, 5/8	41395-000
14	Gasket, Connector (O-ring)	100139-013

Index	Part	Part No.
15	Connector, Flowmeter-to-Air Release	86173-000
16	Bolt, 5/8-11x3 hex hd	100085-031
17	Star Connection Complete	82976-001
18	Gear Train Complete*	
	3.75 Reduction (U.S. gal.)	80862-050
	4.58 Reduction (Imperial gal.)	80862-051
	9.93 Reduction (liters)	80862-055
19	Stuffing Box Nut and Bushing	83536-000
20	Seal, U-cup Shaft	100025-002
21	Expander, Seal	83539-000
22	Spring, Stuffing Box	83540-000
23	Nut Clamp	34-000
24	Gasket, Gear Train (O-ring)	100138-003

* For gear trains not listed give reductions as stamped on lower plate.

AIR RELEASE AND STRAINER

Part No. 83454-001



Index	Part	Part No.
4	Gasket, Mounting Cover (O-ring)	100139-022
5	Blot, 3/8-16x7/8 hex hd steel	100067-026
6	Lockwasher, 3/8 steel	45828-000
-	Mounting, Cover Complete with Float Valve Unit	83455-008
7	Cover, Mounting	82451-004
8	Main Valve Complete	89274-010
9	Sleeve, Valve	82446-005
9A	Seal, piston	83179-002
10	Lockwasher, No. 10 steel	41211-000
--	Lower Valve Housing Complete	86798-001
11	Screw, 10-32x5/8 fil hd	41221-002
12	Valve Housing w/Extensions	83457-000
13	Link Assembly	80002-002
15	Pin, Valve Lever	40819-002
16	Stem, Valve	83127-001
17	Pin, Valve Stem	42941-000
18	Float Complete	82476-001
19	Pin, Float Lever (short)	82633-000

Index	Part	Part No.
20	Pin, Float Lever (long)	40820-003
21.1	Washer, Float Lever Pin (short)	41989-000
21.2	Washer, Float Lever Pin (long)	40491-000
22	Cotter Pin, 1/16 dia x 1/2 brass	41402-000
23	Strainer	
	16 mesh	101462-001
	40 mesh	101462-002
	60 mesh	101462-003
	80 mesh	101462-004
24	Back Pressure Valve Complete	83459-000
25	Flange, Inlet	83464-000
26	Nut, 7/16-14 hex brass	41118-000
27	Gasket, (O-ring)	100139-018
28	Cover, Strainer	82695-001
29	Lockwasher, 7/16	41012-001
30	Washer, Plain 7/16	40640-000
31	Body with Studs	83468-000

Specify Genuine Schlumberger Replacement Parts

Schlumberger

Industries

Measurement Division

1310 Emerald Road
Greenwood, SC 29646
Phone: (803) 223-1212
Fax: (803) 223-0341

Canada:

7275 West Credit Avenue
Mississauga, Ontario L5N 5M9
Phone: (416) 858-4211
Fax: (416) 858-0428

Export:

4360 Chamblee Dunwoody Road, Suite 424
Atlanta, GA 30341
Phone: (404) 458-8111 Telex: 824791
Fax: (404) 455-0680

United Kingdom:

Salmon Fields, Royton, Oldham,
Lancashire, England OL2 6BX
Phone: (44) 61 627 0333 Telex: 851 668064
Fax: (44) 61 627 0295