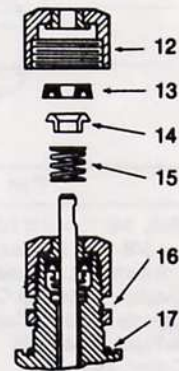
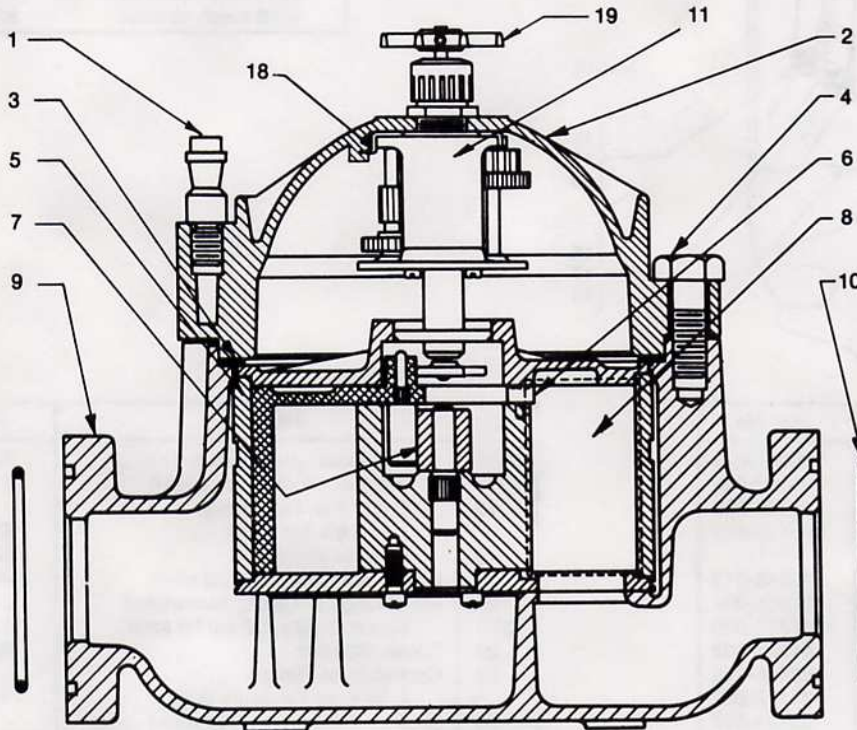


# 1 1/4" Type A and 4 1 1/2" Type 4 and 40 Parts List

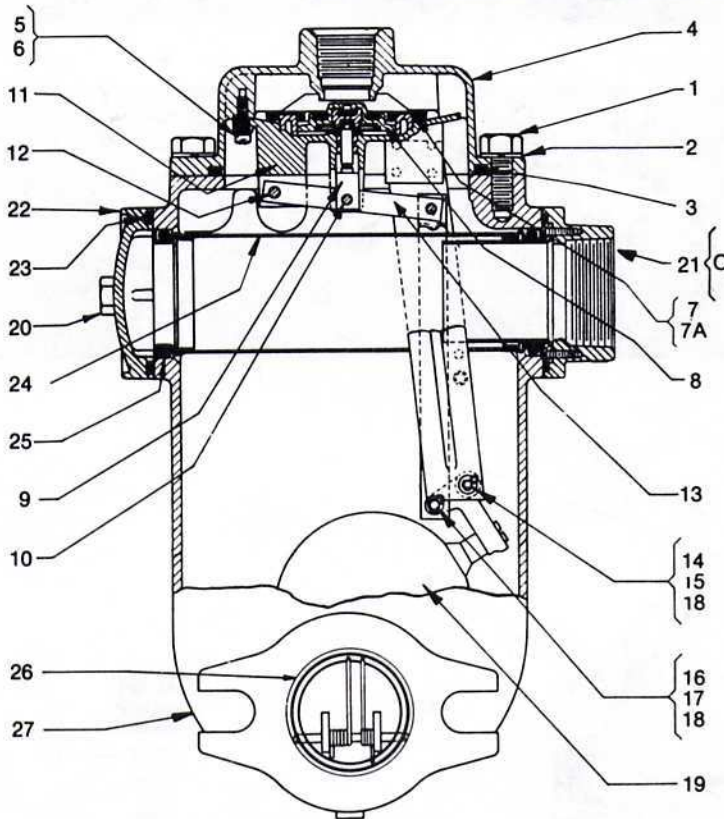


*INLET Flange 1/2"  
2470-002*

Index	Part	Part No.
1	Stud, Register Clamp	84435-000
2	Cover, Main Case	82182-002
3	Gasket, Main Case	4862-008
4	Bolt, Main Case, 7/16-14x1-3/16	40237-004
5	Measuring Chamber Complete, 1-1/4 Meter	43260-101
	1-1/2 Meter	83271-101
6	Pin, Seal	42792-000
7	Control Roller	43275-000
8	Diaphragm, 1-1/4 Meter	43271-000
	1-1/2 Meter,	83277-000
9	Main Casing Ass'd straight-thur, 1-1/4	43276-009
	1-1/2	83269-002
10	Gasket, Flange (O-ring)	100139-010

Index	Part	Part No.
11	Gear Train Complete, 1-1/4 Meter	
	14.06 reduction (U.S. Gallons)	82710-050
	16.5 reduction (Imp. Gallons)	82710-051
	36.41 reduction (Liters)	82710-054
	1-1/2 Meter	
	9.648 reduction (U.S. Gallons)	83280-050
	11.6 reduction (Imp. Gallons)	83280-051
	25.4184 reduction (Liters)	83280-052
12	Stuffing Box Nut and Bushing	83536-000
13	Seal, U-cup Shaft	100025-002
14	Expander, Seal	83539-000
15	Spring, Stuffing Box	83540-000
16	Nut, Clamp	34-000
17	Gasket, O-ring	100138-003
18	Nonswivel Adapter, Gear Train	85006-000
19	Star Connection Complete	82976-001

# TYPE 4 AIR RELEASE AND STRAINER



Part No. 82450-00X

Air Release Complete	82450-000
w/80 mesh strainer	82450-001
w/60 mesh strainer	82450-002
w/40 mesh strainer	82450-003

Index	Part	Part No.
1	Bolt, 3/8-16 x 7/8 hex hd steel	100067-026
	3/8-16 x 7/8 hex hd (w/hole)	100068-026
2	Lockwasher, 3/8 steel	45828-000
3	Gasket, Mounting Cover (O-Ring)	100139-022
-	Mounting Cover Complete	
	w/Float Valve Unit	83243-010
4	Cover, Mounting	82451-004
5	Lockwasher, No. 10 steel	41211-000
6	Screw, Housing, 10-32 x 5/8 fil hd	41221-002
7	Sleeve, Valve	82446-005
7A	Piston Seal	83179-002
8	Main Valve Complete	89274-010
-	Lower Valve Housing	86797-001
9	Stem, Valve	83127-001
10	Pin, Valve Stem	42941-000
11	Valve Housing with Extensions	82455-000
12	Rivet, Valve Lever	40819-002
13	Connecting Link Assembly	100334-001
14	Pin, Float Lever (long)	40820-003
15	Washer, Float Lever Pin (long)	40491-000

Index	Part	Part No.
16	Pin, Float Lever (short)	82633-000
17	Washer, Float Lever (short)	41989-000
18	Cotter Pin, Float Lever	
	1/16 x 1/2 brass	41402-000
19	Float Assembly	82476-001
20	Screw, 3/8-16 x 1 hex hd steel	100067-027
21	Inlet Flange & Tubing Assembled	82467-005
21C	Screw, 6-32 x 1/2 flat hd steel	83442-000
22	Cover, Strainer	82475-000
23	Gasket, Inlet Flange	
	& Strainer Cover (O-ring)	100139-010
24	Strainer & Gaskets Assembled	
	stamped 80 mesh	101433-704
	stamped 60 mesh	101433-703
	stamped 40 mesh	101433-702
	stamped 16 mesh	101433-701
25	Gasket, Strainer(O-ring)	100139-032
26	Back Pressure Valve Complete	82477-001
27	Body	82452-001

**Specify Genuine Schlumberger Replacement Parts**

**Schlumberger Industries**

Measurement Division  
1310 Emerald Road  
Greenwood, SC 29646  
Phone: (803) 223-1212  
Fax: (803) 223-0341  
Customer Service: 1-800-833-6971

**Canada:**  
7275 West Credit Avenue  
Mississauga, Ontario L5N 5M9  
Phone: (416) 858-4211  
Fax: (416) 858-0428

**Export:**  
4360 Chamblee Dunwoody Road, Suite 424  
Atlanta, GA 30341  
Phone: (404) 458-8111 Telex: 824791  
Fax: (404) 455-0680

**United Kingdom:**  
Salmon Fields, Royton, Oldham,  
Lancashire, England OL2 6BX  
Phone: (44) 61 627 0333 Telex: 851 668064  
Fax: (44) 61 627 0295

Specifications subject to change without prior notification.

Printed In U.S.A. 2M 09/91