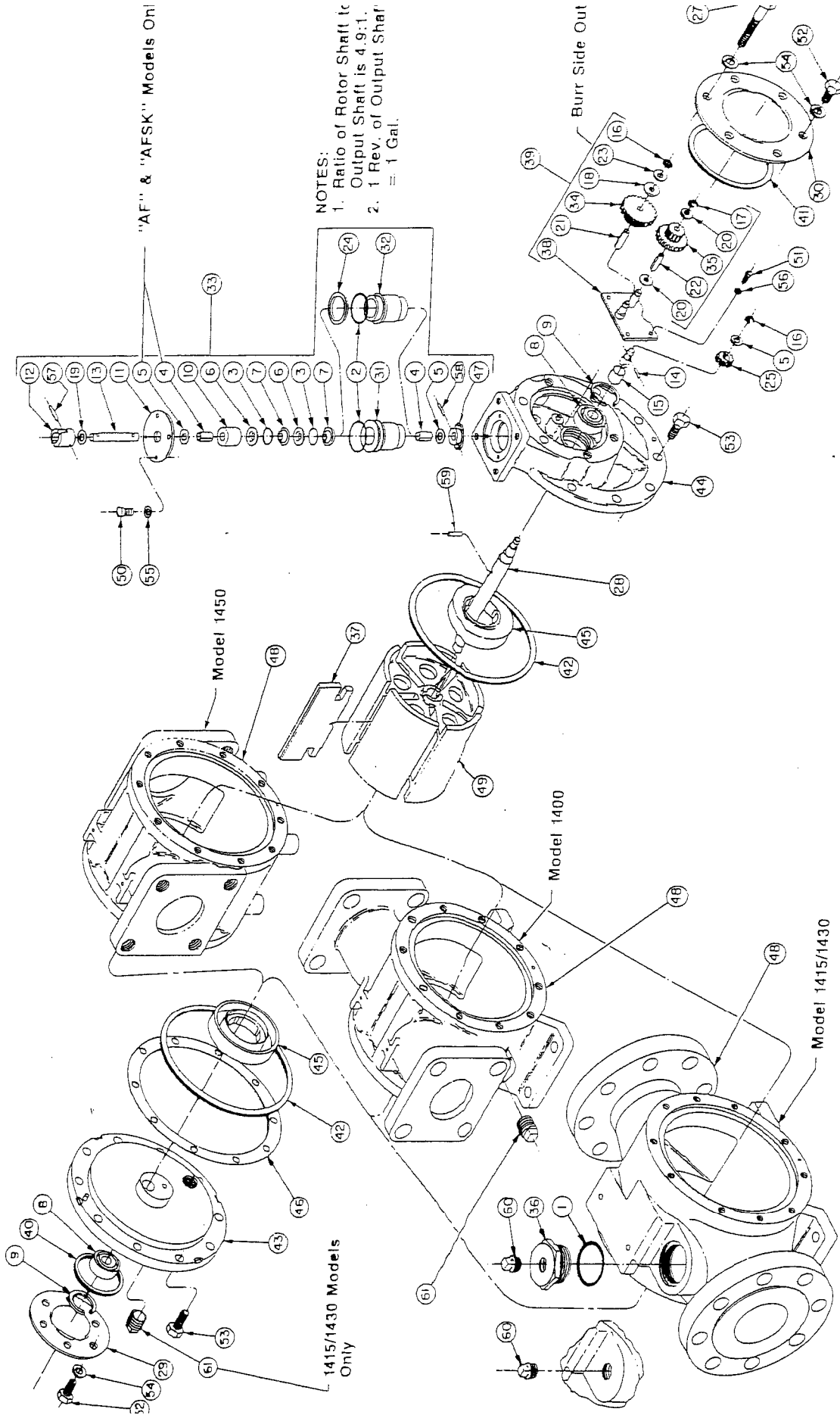


2" ROTARY METERS - GEAR DRIVE TYPE

#1400, #1415, #1430, #1450



2" ROTARY METERS - GEAR DRIVE TYPE #1400, #1415, #1430, #1450

ITEM NO.	NAME OF PART	MODEL		MODEL		MODEL	
		1400-SP 1450-SP	1400-AF 1450-AF	1400-AFSK 1450-AFSK	1415-AF 1430-AF		
1	"O" Ring	—	—	—	—	—	
2	Gasket	503-27-005	503-27-210	503-27-210	502-26-230	—	
3	"O" Ring	503-27-125	503-27-205	503-27-205	503-27-210	—	
4	Bearing Insert	504-26-865	504-26-865	504-26-865	504-20-865	—	
5	Washer	562-03-662	562-03-662	562-03-662	562-03-662	—	
6	Seal	502-26-480	502-26-480	502-26-480	502-26-480	—	
7	Seal Retaining Ring	504-28-995	504-28-995	504-28-995	504-20-995	—	
8	Bearing	504-26-700	504-26-740	504-26-740	504-26-740	—	
9	Retaining Ring	504-08-004	504-08-004	504-08-004	504-08-004	—	
10	Upper Bearing OR Upper Bearing Assembly (Includes Item 4)	504-28-820	—	—	—	—	
11	Packing Gland Plate	350-02-715	350-02-715	350-02-715	350-02-715	—	
12	Coupling	504-27-150	504-27-150	504-27-150	504-27-150	—	
13	Drive Shaft	504-28-255	504-28-255	504-28-255	504-28-255	—	
14	Pin 3/16 Dia. x 3/16	504-27-990	504-27-990	504-27-990	504-27-990	—	
15	Spacer	504-28-645	504-28-645	504-28-645	504-28-645	—	
16	Retaining Ring Type 5100	504-08-014	504-08-014	504-08-014	504-08-014	—	
17	Retaining Ring Type 5100	504-08-014	504-08-014	504-08-014	504-08-014	—	
18	Washer	562-03-676	562-03-676	562-03-676	562-03-676	—	
19	Washer	562-03-676	562-03-676	562-03-676	562-03-676	—	
20	Washer	562-03-664	562-03-664	562-03-664	562-03-664	—	
21	Bearing Insert	504-26-810	504-26-810	504-26-810	504-26-810	—	
22	Bearing Insert	504-26-810	504-26-810	504-26-810	504-26-810	—	
23	Washer	504-26-835	504-26-835	504-26-835	504-26-835	—	
24	Back-Up Ring	562-03-672	562-03-672	562-03-672	562-03-672	—	
25	Gear (20 Teeth)	504-27-455	504-27-455	504-27-455	504-27-455	—	
26	Seal Screw	504-08-120	504-08-120	504-08-120	504-08-120	—	
27	Rotor Shaft Assembly (Includes Item 59)	350-02-760	350-02-765	352-02-765	350-02-765	—	
28	Bearing Cover	350-02-220	350-02-220	352-02-225	350-02-230	—	
29	Inspection Cover	350-02-530	350-02-530	350-02-530	350-02-540	—	
30	Packing Capsule	504-27-955	—	—	—	—	
31	Packing Capsule (For AF, AFSK & Telfon-Trimmed "SP" Meters)	504-27-970	504-27-970	504-27-970	504-27-970	—	
32	Packing Capsule Assembly OR Packing Capsule Assembly (For AF, AFSK & Telfon-Trimmed "SP" Meters)	350-02-710	—	—	—	—	
33	Gear Assembly (49/24 Teeth) Includes Item 21	350-00-480	350-00-485	350-00-485	350-00-485	—	
34	Gear Assembly (40/20 Teeth) Includes Item 22	350-02-350	350-02-335	350-02-335	350-02-335	—	
35	Plug	350-02-355	350-02-340	350-02-340	350-02-340	—	
36	Plug	—	—	—	504-28-027	—	

WHEN ORDERING PARTS, ALWAYS GIVE THE METER SERIAL NUMBER
 * If the "SP" Meter is Telfon-Trimmed, use the Part Number shown in the "AF" Column.
 Reference: Gasket & Repair Kits Available.

ITEM NO.	NAME OF PART	MODEL		MODEL		MODEL		MODEL	
		1400-SP 1450-SP	1400-AF 1450-AF	1400-AFSK 1450-AFSK	1415-AF 1430-AF				
37	Blade (Note: Proper Blade Selection Determined by Using Blade Identifier Letter Stamped On Serial No. Plate)	350-02-105	350-02-110	350-02-110	350-02-110	350-02-115	350-02-115	350-02-120	350-02-120
38	Gear Plate & Shaft Assm.	350-02-495	350-02-495	350-02-495	350-02-495	350-02-495	350-02-495	350-02-495	350-02-495
39	Gear Train Assembly	350-02-510	350-02-505	350-02-505	350-02-505	350-02-505	350-02-505	350-02-505	350-02-505
40*	Gasket	502-26-345	502-26-345	502-26-225	502-26-225	502-26-225	502-26-225	502-26-225	502-26-225
41*	Gasket	502-26-365	502-26-365	502-26-230	502-26-230	502-26-230	502-26-230	502-26-230	502-26-230
42*	Gasket	350-02-280	350-02-280	350-02-290	350-02-290	350-02-285	350-02-285	350-02-285	350-02-285
43	Cover Assembly (Includes Items 8 & 9)	350-02-435	350-02-435	350-02-440	350-02-440	350-02-420	350-02-420	350-02-420	350-02-420
44	Gear Cover & Pin Assm. (Includes Items 8 & 9)	350-02-165	—	—	—	—	—	—	—
45	Gear Ring OR Blade Ring Assembly	—	—	—	—	—	—	—	—
46	Shim (Specify Qty. of Each Color Req'd.)	504-28-530	504-28-530	504-28-530	504-28-530	504-28-530	504-28-530	504-28-530	504-28-530
47	Miter Gear (24 Teeth)	350-00-020	350-00-020	350-00-045	350-00-045	350-00-045	350-00-045	350-00-045	350-00-045
48	Meter Body (Model 1450) OR (Model 1400) OR (Model 1415) OR (Model 1430)	350-02-600	350-02-610	350-02-610	350-02-610	350-02-605	350-02-615	350-02-615	350-02-615
49	Rotor	350-02-725	350-02-725	350-02-730	350-02-730	350-02-735	350-02-735	350-02-735	350-02-730
50	Flt. Hd. Mach. Screw #10-24 x 7/16	557-09-635	557-09-635	557-09-635	557-09-635	557-09-635	557-09-635	557-09-635	557-09-635
51	Flt. Hd. Mach. Screw #12-24 x 3/4	557-09-645	557-09-645	557-09-645	557-09-645	557-09-645	557-09-645	557-09-645	557-09-645
52	Hex. Hd. Cap Screw 9/16-10 x 9/16	555-11-070	555-11-070	555-11-070	555-11-070	555-11-070	555-11-070	555-11-070	555-11-070
53	Hex. Hd. Cap Screw 9/16-10 x 7/16	555-11-074	555-11-074	555-11-074	555-11-074	555-11-074	555-11-074	555-11-074	555-11-074
54	Lockwasher 5/16	562-03-612	562-03-612	562-03-612	562-03-612	562-03-612	562-03-612	562-03-612	562-03-612
55	Lockwasher	562-03-634	562-03-634	562-03-634	562-03-634	562-03-634	562-03-634	562-03-634	562-03-634
56	Lockwasher	562-03-644	562-03-644	562-03-644	562-03-644	562-03-644	562-03-644	562-03-644	562-03-644
57	Groov-Pin 3/32 x 9/16	509-03-940	509-03-940	509-03-940	509-03-940	509-03-940	509-03-940	509-03-940	509-03-940
58	Groov-Pin 3/32 x 3/16	509-03-940	509-03-940	509-03-940	509-03-940	509-03-940	509-03-940	509-03-940	509-03-940
59	Spiral Pin 1/16 x 7/16	562-10-147	562-10-147	562-10-147	562-10-147	562-10-147	562-10-147	562-10-147	562-10-147
60	Sq. Hd. Pipe Plug 1/4	507-01-414	507-01-414	507-01-414	507-01-414	507-01-414	507-01-414	507-01-414	507-01-414
61	Sq. Hd. Pipe Plug 1/2 (1400, 1415 & 1430 Only)	507-01-422	507-01-422	507-01-422	507-01-422	507-01-422	507-01-422	507-01-422	507-01-422