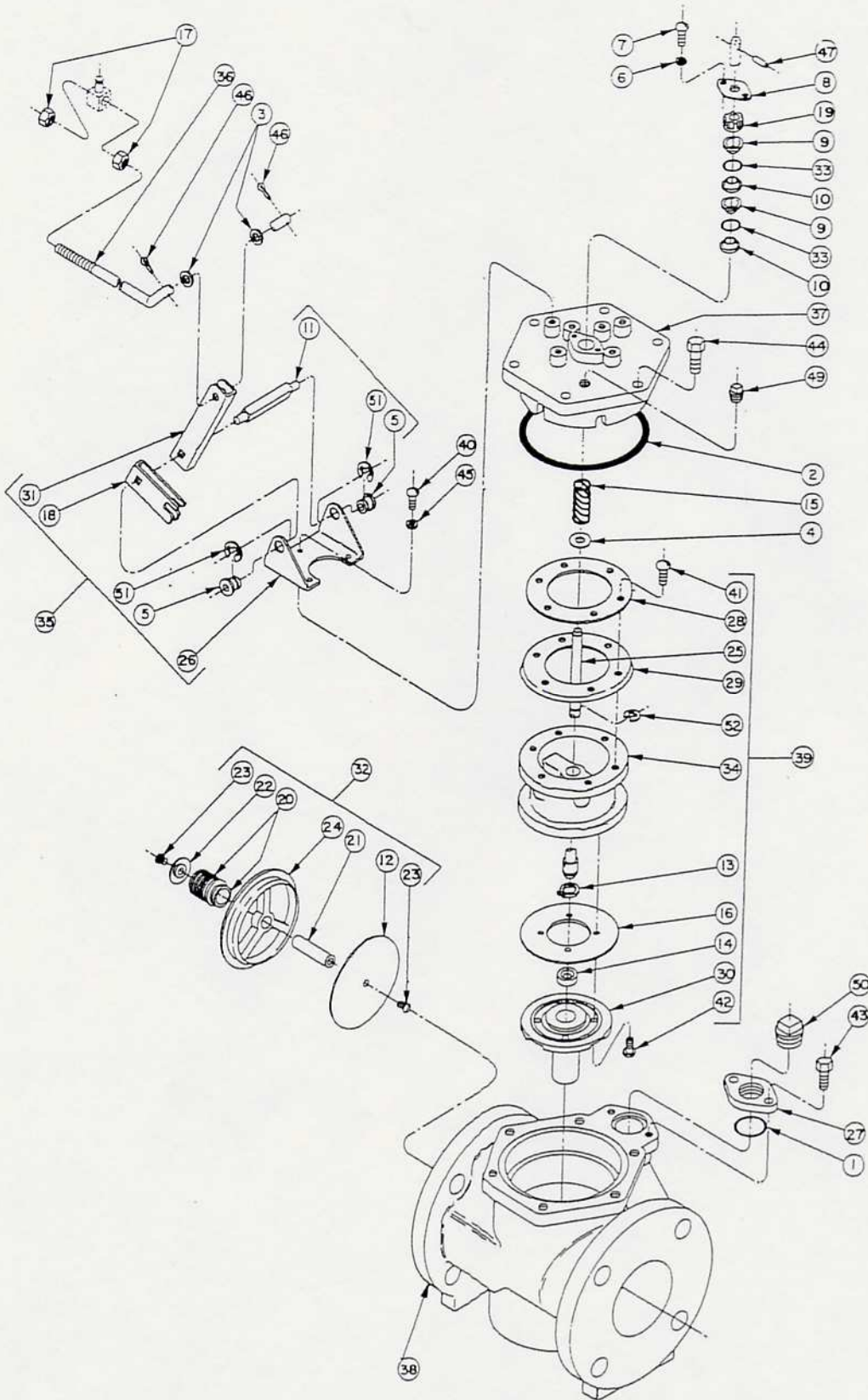


3" HYDRAULIC VALVE MODEL #1550-30



3" HYDRAULIC VALVE MODEL #1550-30 & 40

ITEM NO.	NAME OF PART	MODEL 1550-30 -SP	MODEL 1550-30 -AF	MODEL 1550-40 -AF
1	"O" Ring Or Gasket	503-27-010 —	— 502-26-205	— 502-26-205
2	"O" Ring Or Gasket	503-27-025 —	— 502-26-275	— 502-26-275
3	Washer	562-03-678	562-03-678	562-03-678
4	Washer	562-03-668	562-03-668	562-03-668
5	Shaft Bearing	504-28-456	504-28-456	504-28-456
6	Special Lockwasher #10	562-03-642	562-03-642	562-03-642
7	Special Screw #10-32 x 3/8	557-03-042	557-03-042	557-03-042
8	Packing Gland Plate	504-27-011	504-27-011	504-27-011
9	Seal	502-26-490	502-26-490	502-26-490
10	Seal Retaining Ring	504-28-995	504-28-995	504-28-995
11	Valve Handle Shaft	504-28-875	504-28-875	504-28-875
12	Poppet	504-28-075	504-28-075	504-28-075
13	Truarc Retaining Ring	504-08-024	504-08-024	504-08-024
14	Valve Seat	504-28-890	504-28-890	504-28-890
15	Spring	504-28-680	504-28-680	504-28-680
16	Valve Disc	504-28-865	504-28-865	504-28-865
17	Locknut 5/16-18	504-27-995	504-27-995	504-27-995
18	Lifter	352-03-005	352-03-005	352-03-005
19	Bearing	504-26-745	504-26-745	504-26-745
20	Spring (inner) Spring (outer)	504-28-695 —	504-28-695 —	504-28-695 —
21	Poppet Stem	504-28-125	504-28-125	504-28-125
22	Spring Retainer	504-28-715	504-28-715	504-28-715
23	Screw-Self Locking 10-24 x 1/2	557-03-065	557-03-065	557-03-065
24	Valve Seat	350-03-610	350-03-610	350-03-610
25	Valve Stem Asy.	352-00-210	352-00-210	352-00-210
26	Bracket	504-27-010	504-27-010	504-27-010
27	Cover	352-03-050	352-03-050	352-03-050
28	Plunger Cup Support	352-03-090	352-03-090	352-03-090
29	Plunger Cup Kit	352-03-091	352-03-091	352-03-091
30	Poppet Guide Asy. (Incl. Item 14 & 21)	352-02-245	352-02-245	352-02-245
31	Actuating Arm	350-80-020	350-80-020	350-80-020
32	Poppet Asy.	352-03-095	352-03-095	352-03-095
33	"O" Ring	503-27-205	503-27-205	503-27-205
34	Plunger	352-03-010	352-03-010	352-03-010
35	Valve Lift Asy.	352-03-020	352-03-020	352-03-020
36	Connecting Link (For 1450 Meter) Or Connecting Link (For 2415 Meter) Or Connecting Link (For 1400 Meter)	352-03-040 351-03-005 352-03-045	352-03-040 351-03-005 352-03-045	352-03-040 — 352-03-040
37	Valve Cover	352-03-200	352-03-200	352-03-200
38	Valve Body Asy.	352-03-185	352-03-185	352-03-185
39	Poppet Asy.	352-03-120	352-03-120	352-03-120
40	Rd. Hd. Mach. Screw 1/4-20 x 1/2	557-03-005	557-03-005	557-03-005
41	Rd. Hd. Mach. Screw 3/4-20 x 5/8	557-03-015	557-03-015	557-03-015
42	Rd. Hd. Mach. Screw 1/2-20 x 3/4	557-03-020	557-03-020	557-03-020
43	Hex. Hd. Cap Screw 5/16-18 x 1	555-11-076	555-11-076	555-11-076
44	Hex. Hd. Cap Screw 3/8-16 x 1	555-11-114	555-11-114	555-11-114
45	Lockwasher 1/4	562-03-604	562-03-604	562-03-604
46	Cotter Pin 1/16 Dia. x 1/2	565-05-604	565-05-604	565-05-604
47	Groov Pin 5/32 Dia. x 5/8	509-03-964	509-03-964	509-03-964
48	Pipe Plug 1"	—	—	—
49	Pipe Plug 1/4"	507-01-414	507-01-414	507-01-414
50	Pipe Plug 3/4"	507-01-426	507-01-426	507-01-426
51	Retaining Ring - Type E	504-08-038	504-08-038	504-08-038
52	Retaining Ring - Type E	504-08-034	504-08-034	504-08-034

WHEN ORDERING PARTS, ALWAYS GIVE THE VALVE SERIAL NUMBER.